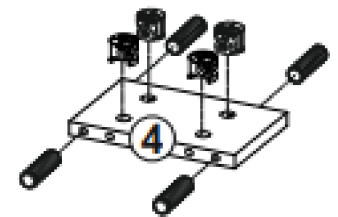
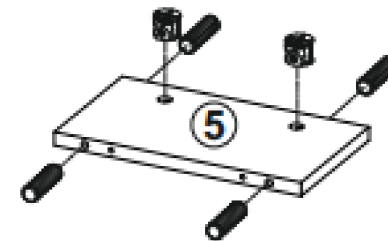
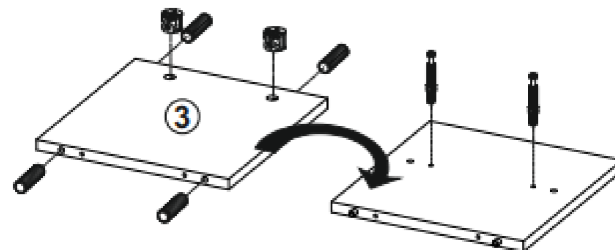
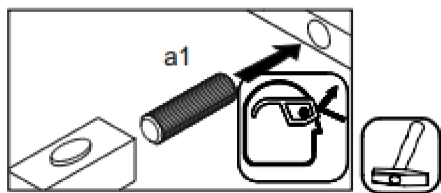
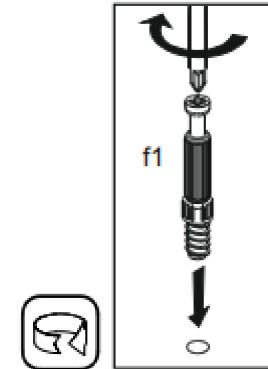
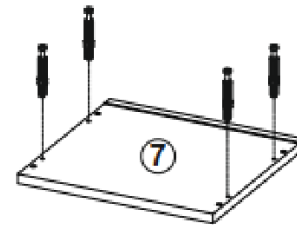
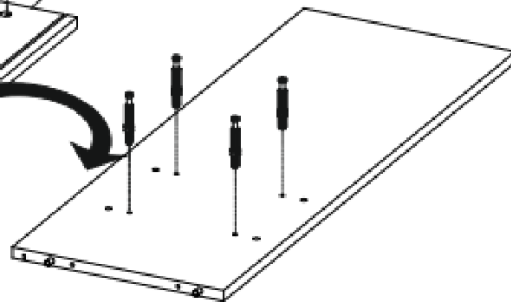
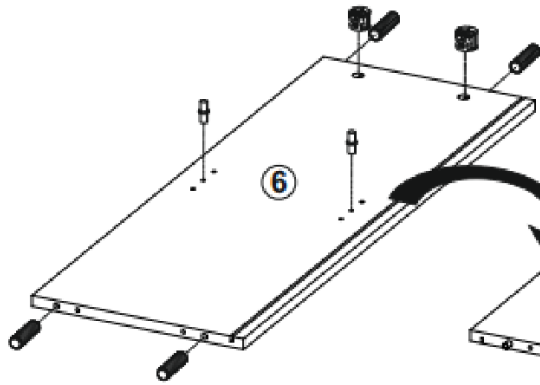
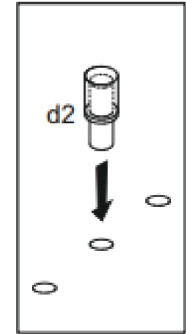
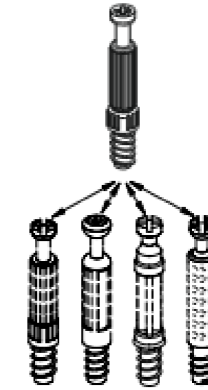
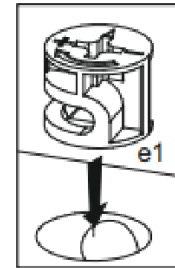
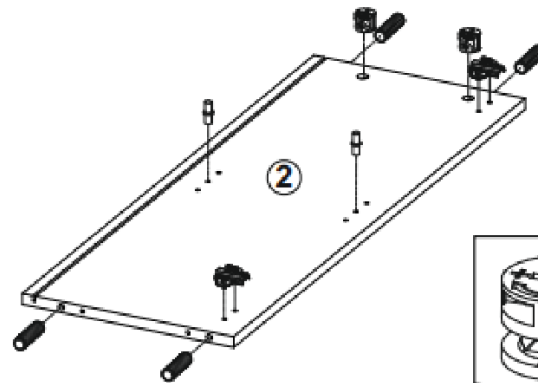
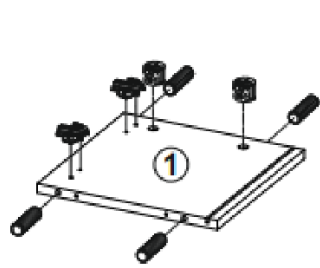
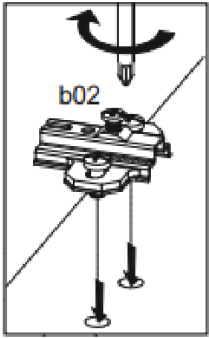


# LP REGAL FRED





1.

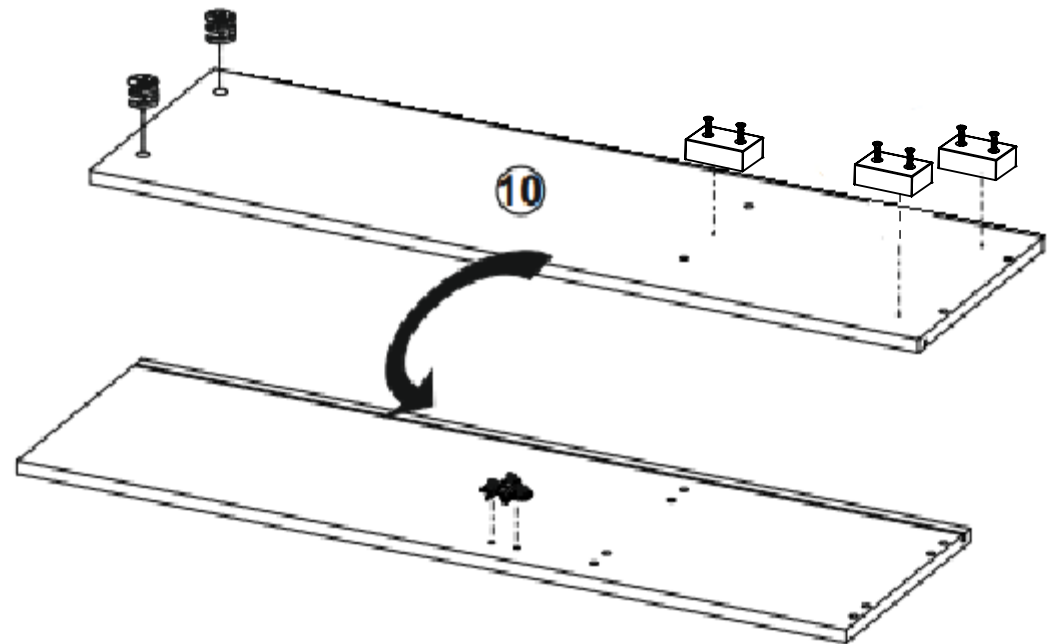
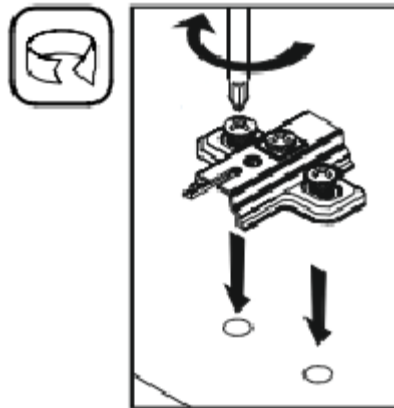
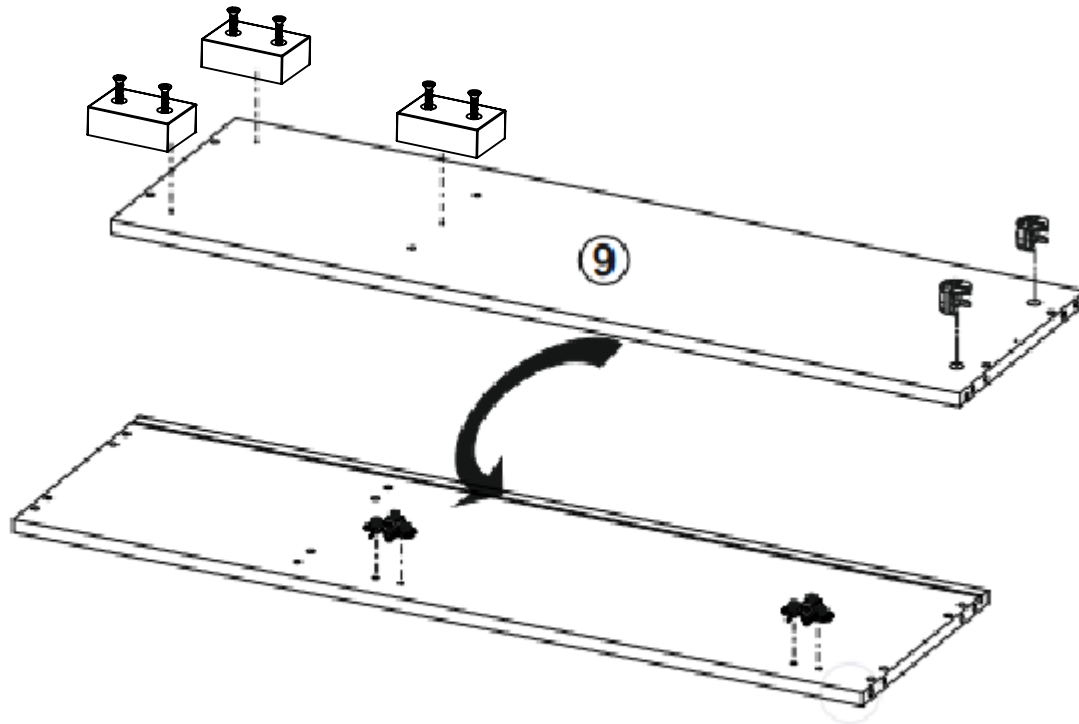
 8x35 05908 x24	 00191 x4	 00182 x4	 01980 x14	 00323 x10
--	---	---	--	--



# LP REGAL FRED

2.

			
X3 00191	X4 01980	4X20 X12 00123	X6 10396



# LP REGAL FRED

3.

8X35



05908

x2



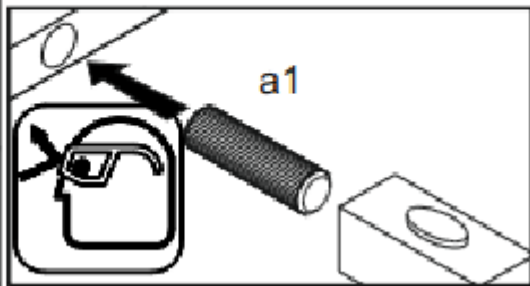
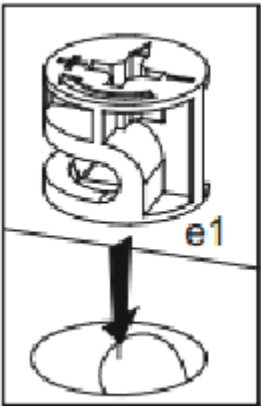
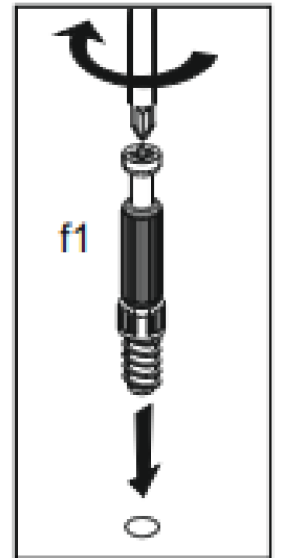
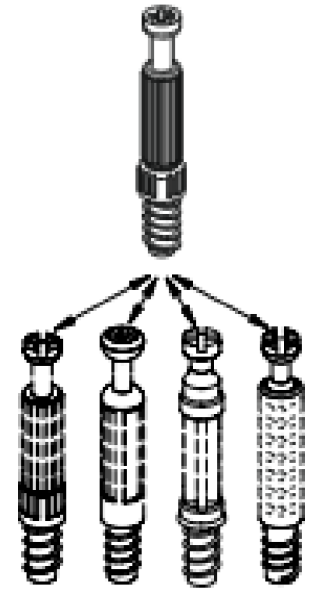
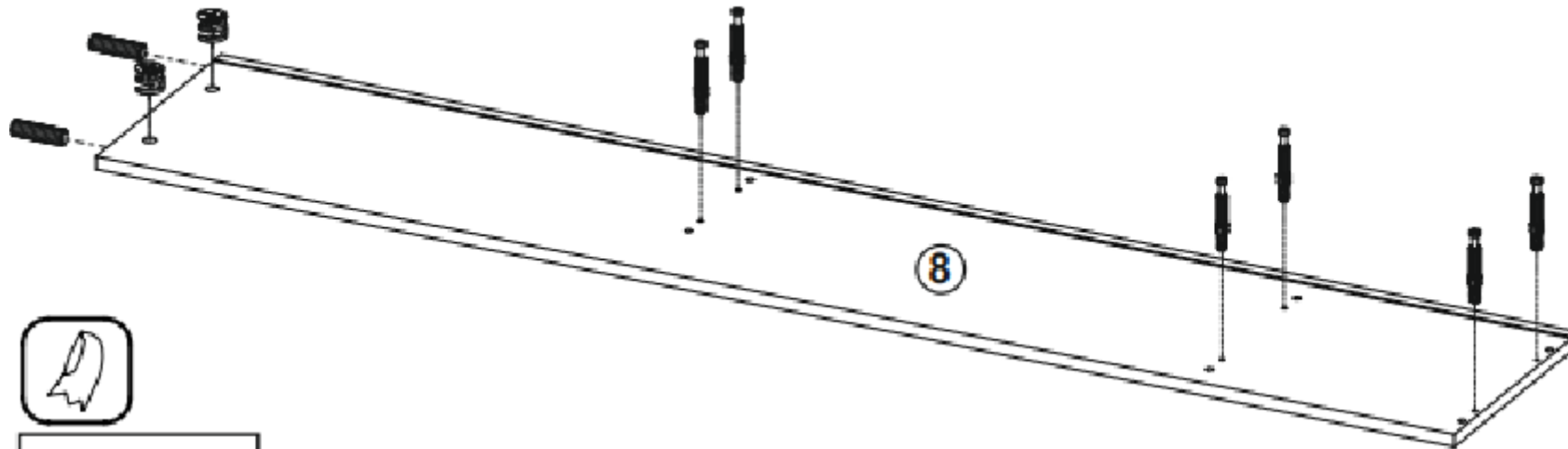
01980

x2



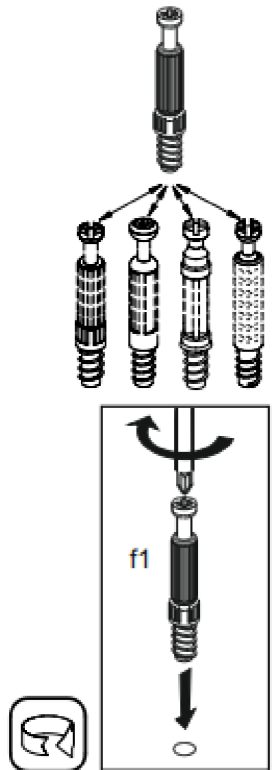
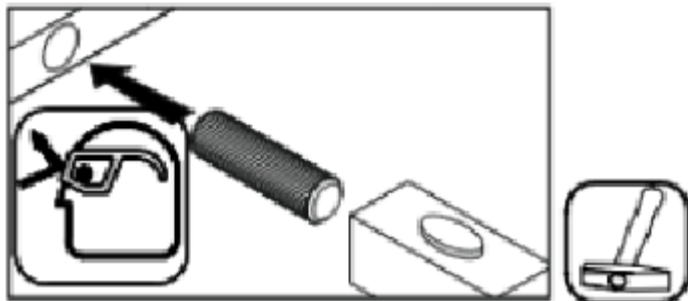
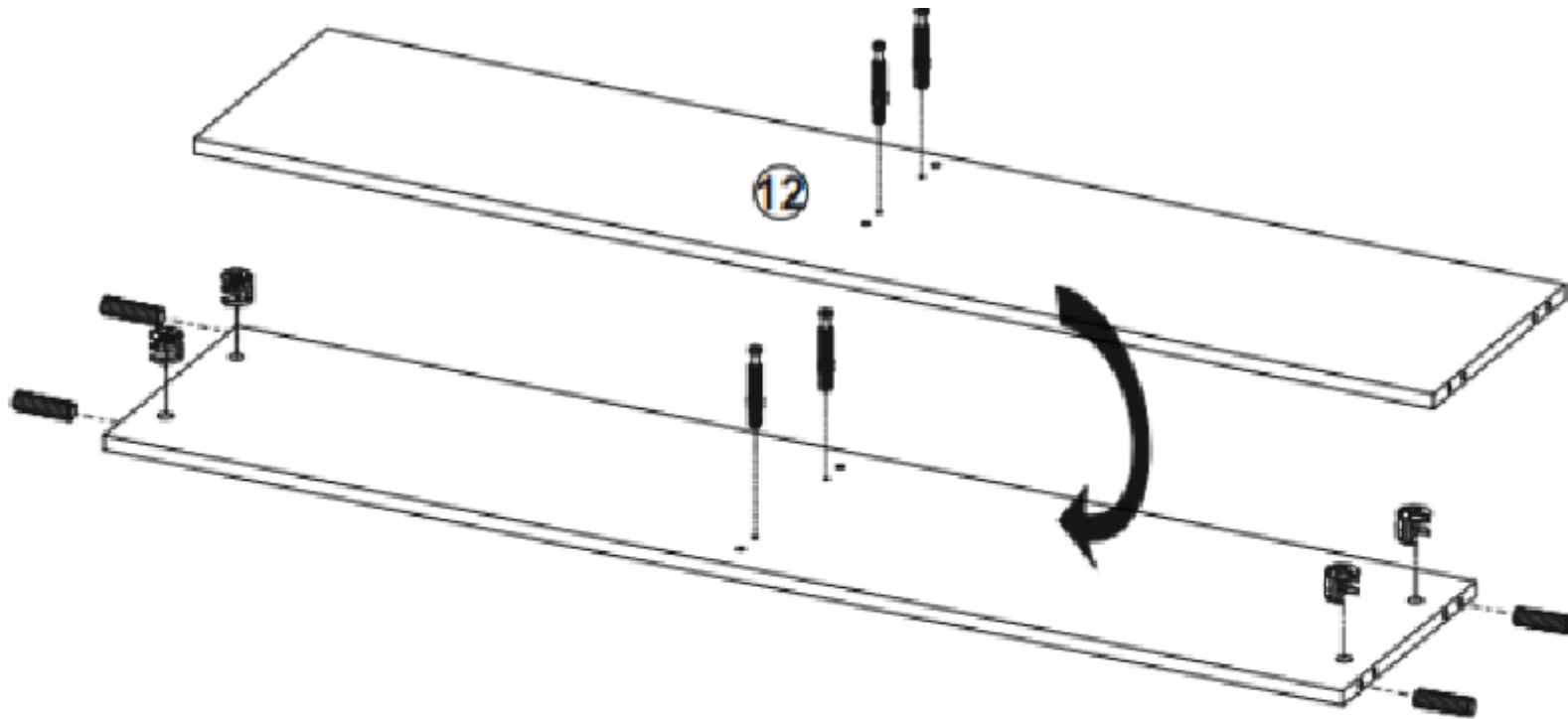
00323

x6



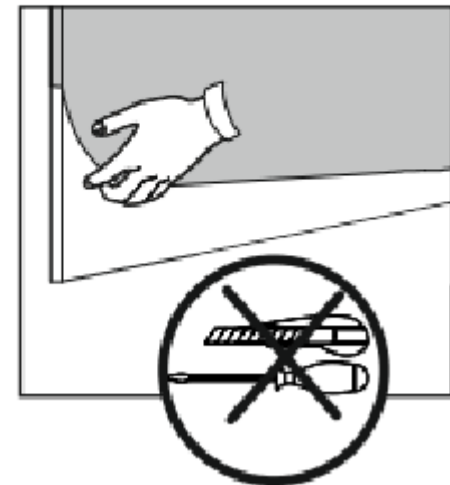
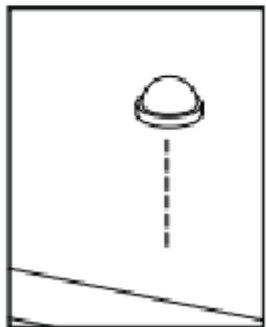
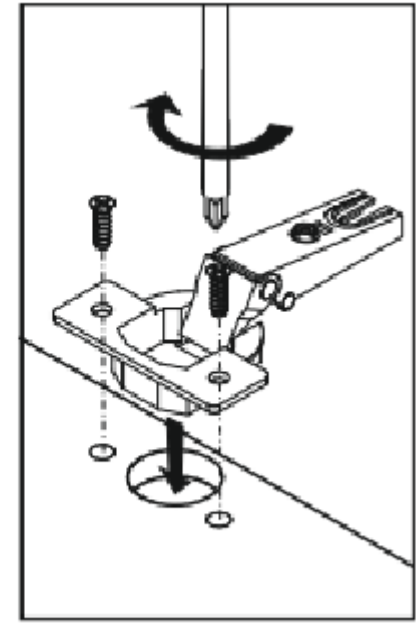
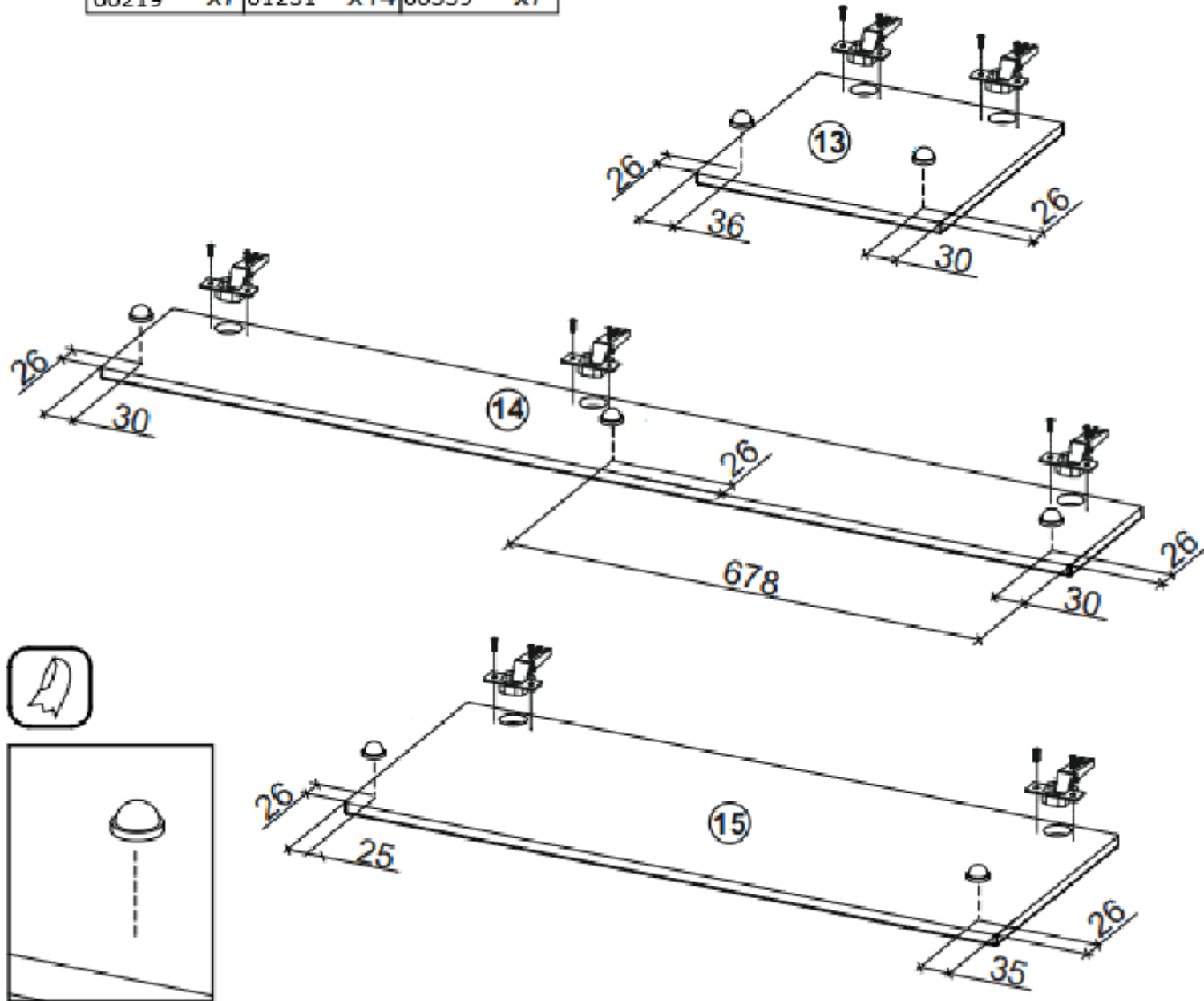
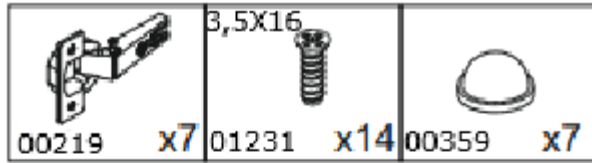
# LP REGAL FRED

4.



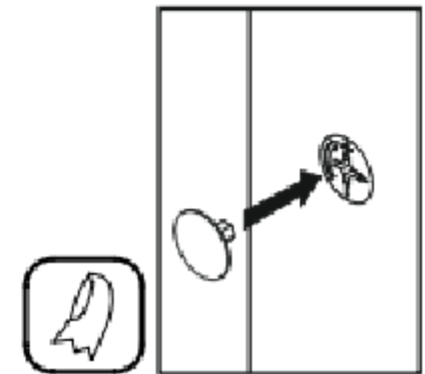
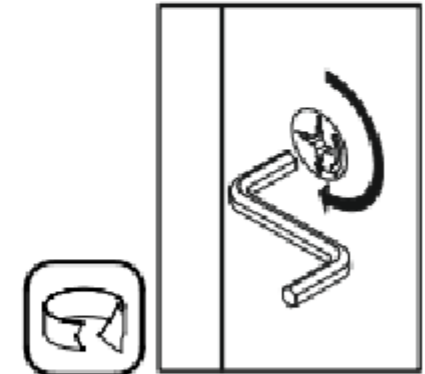
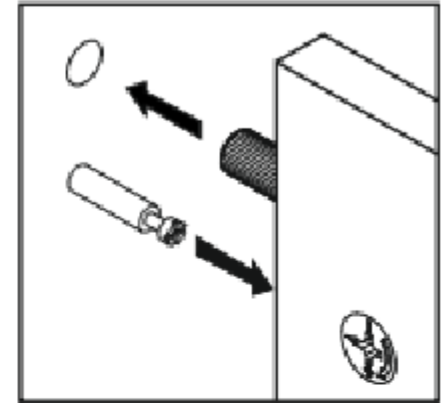
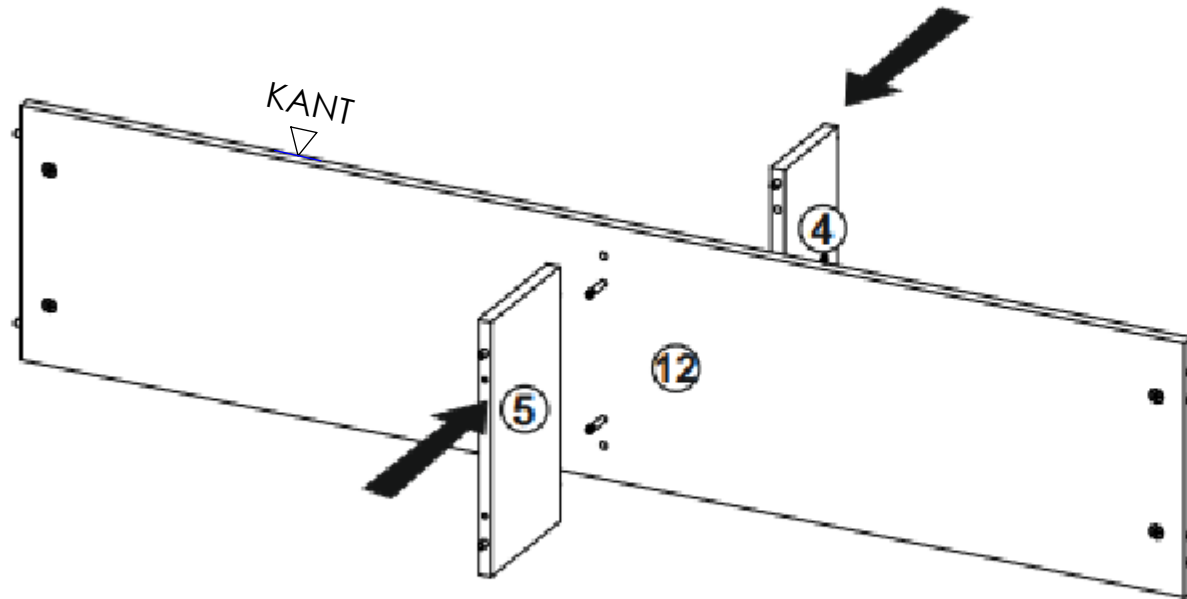
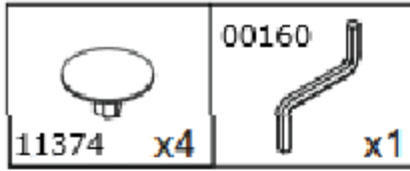
# LP REGAL FRED

5.



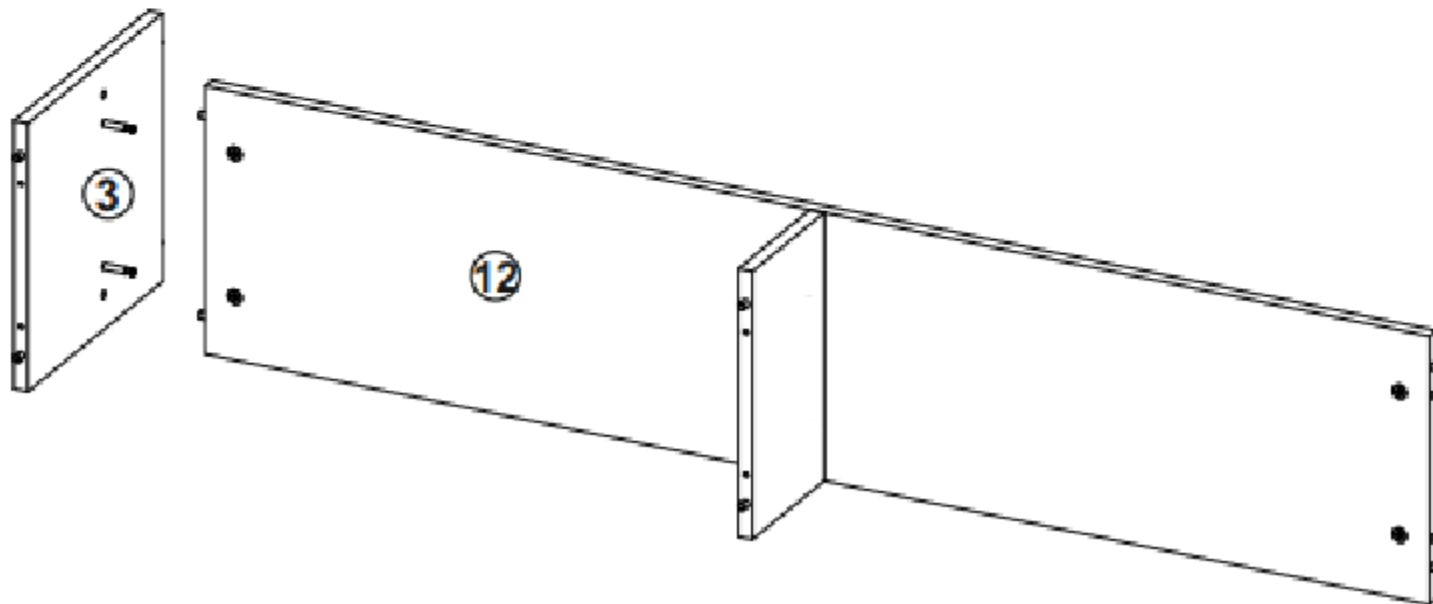
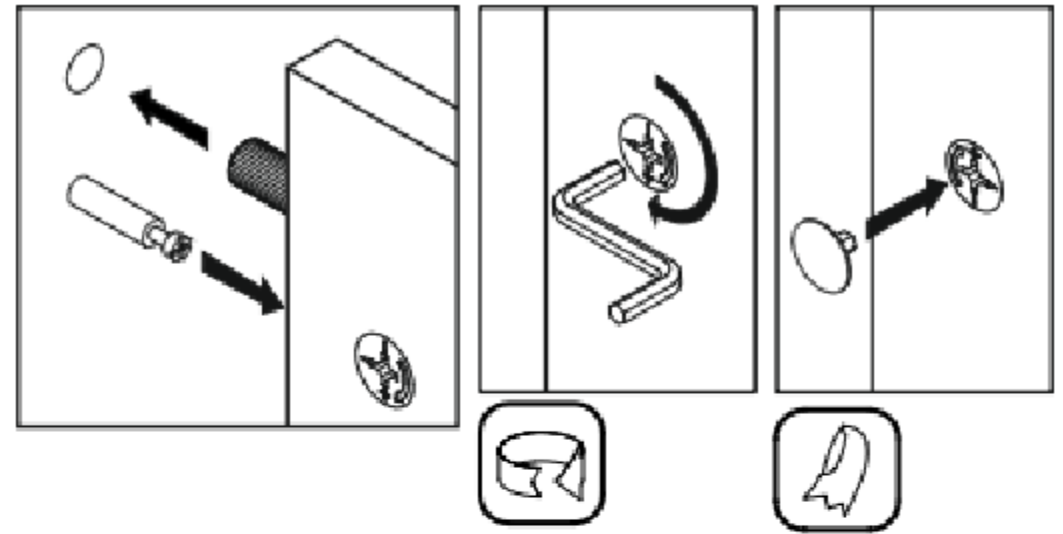
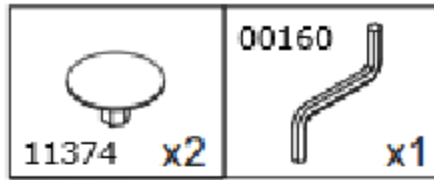
# LP REGAL FRED

6.



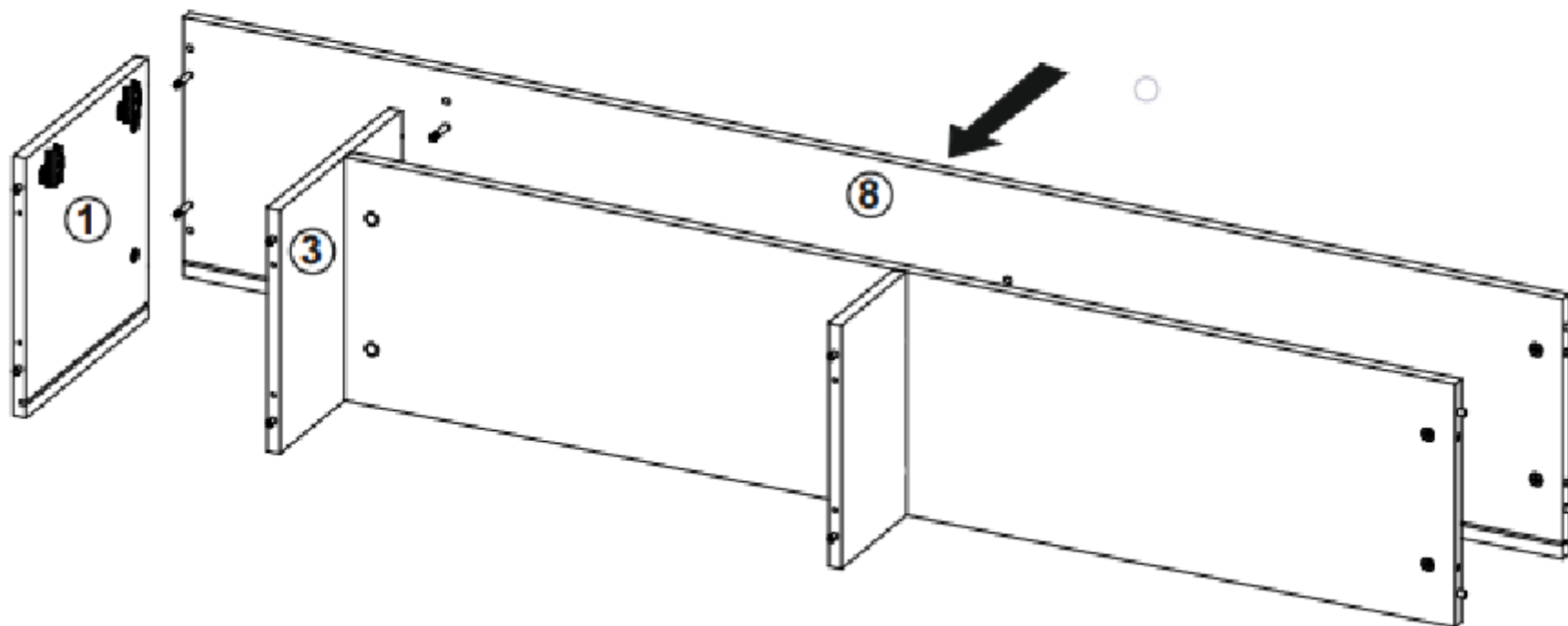
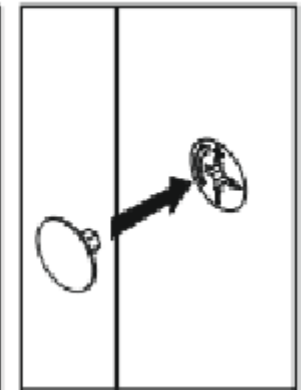
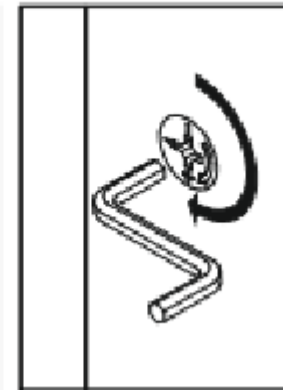
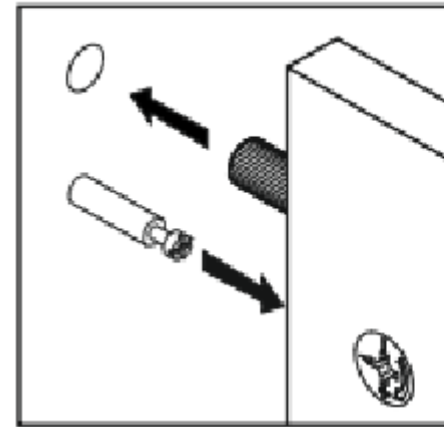
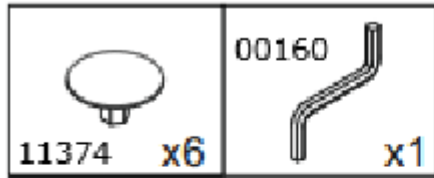
# LP REGAL FRED

7.



# LP REGAL FRED

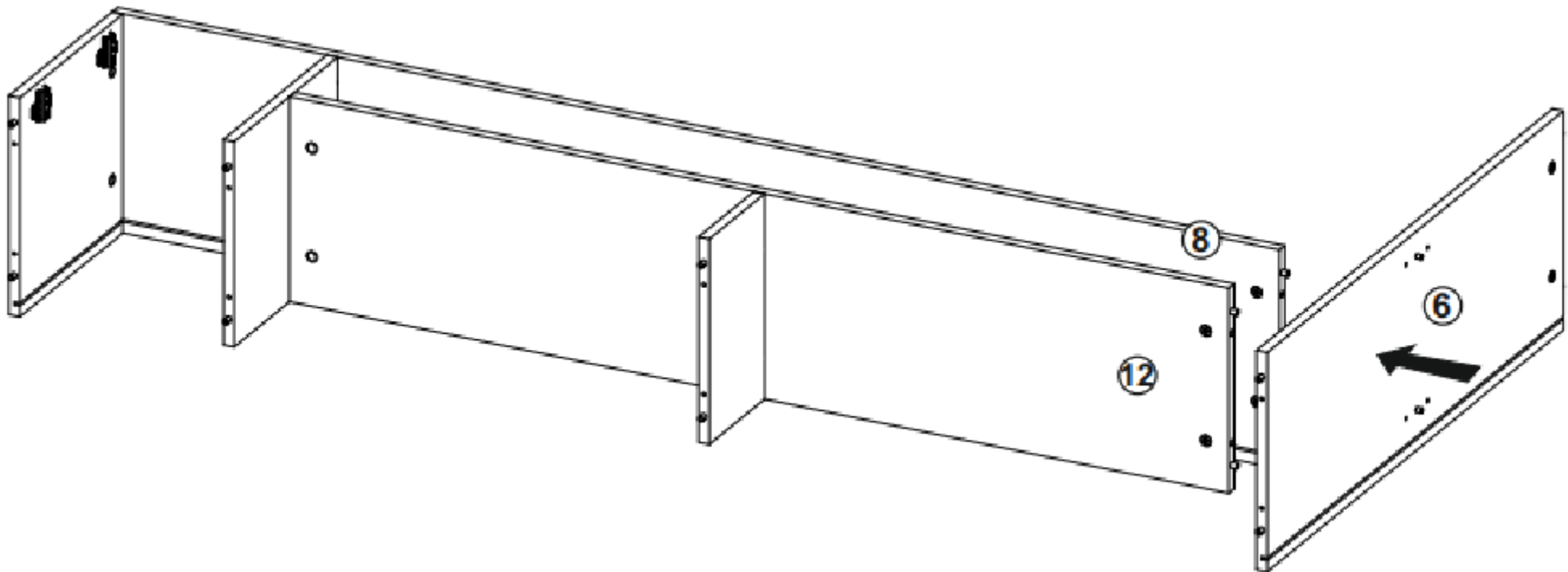
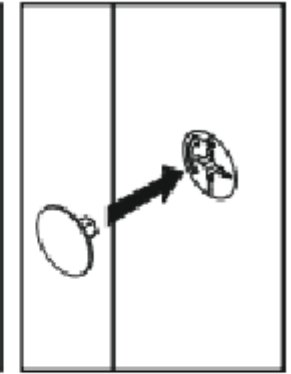
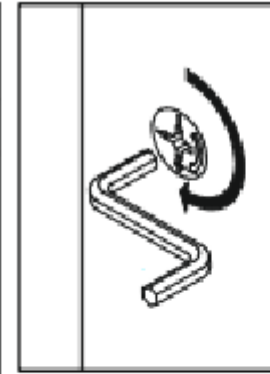
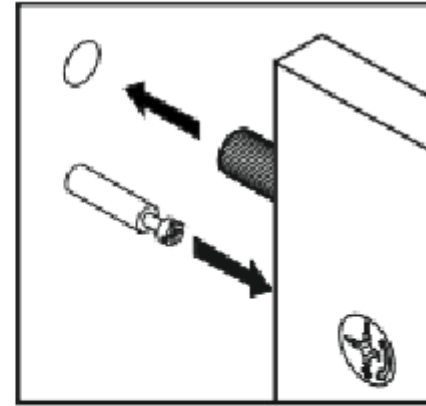
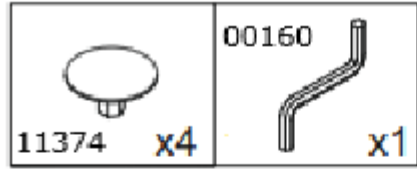
8.





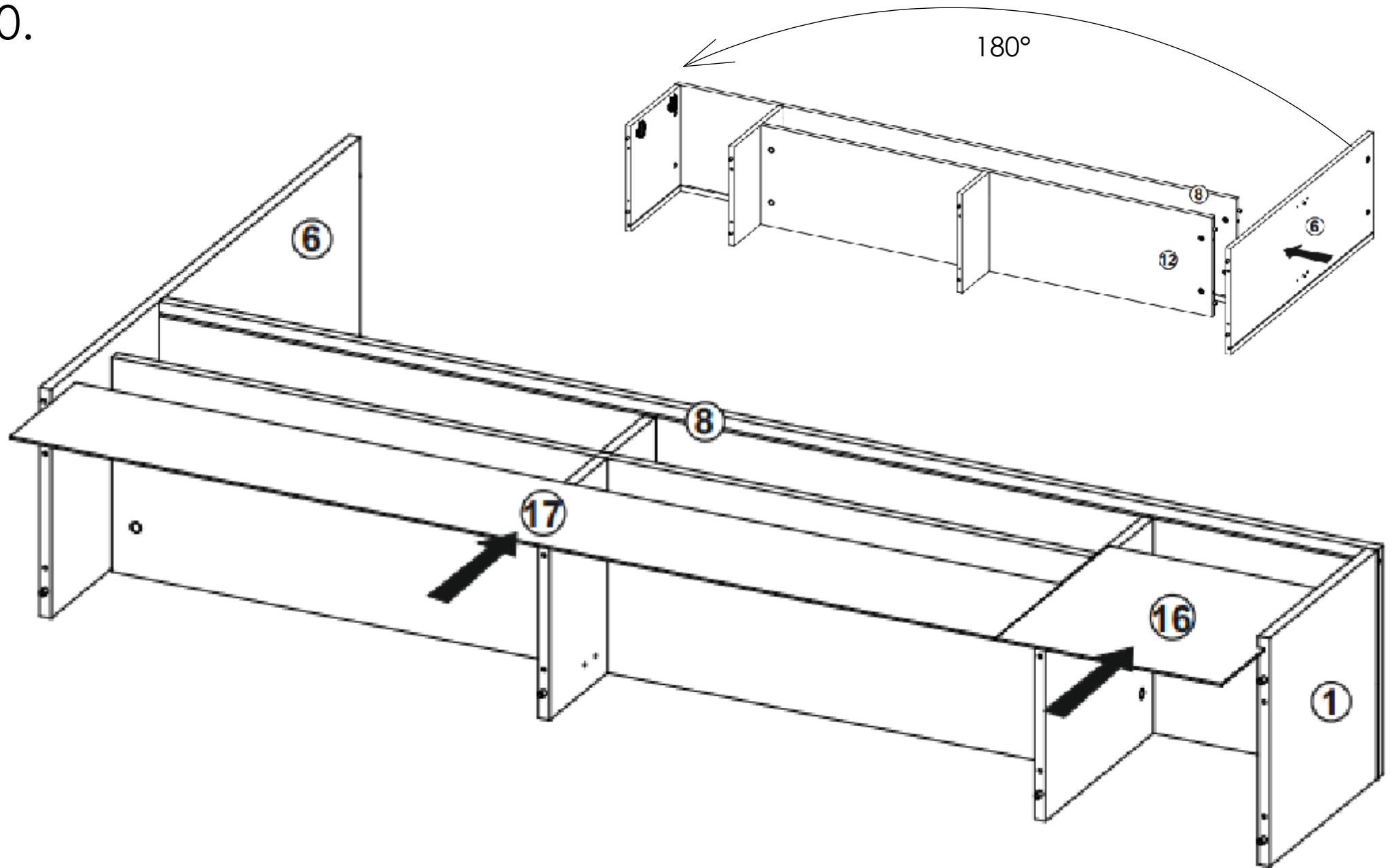
# LP REGAL FRED

9.






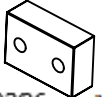


# LP REGAL FRED

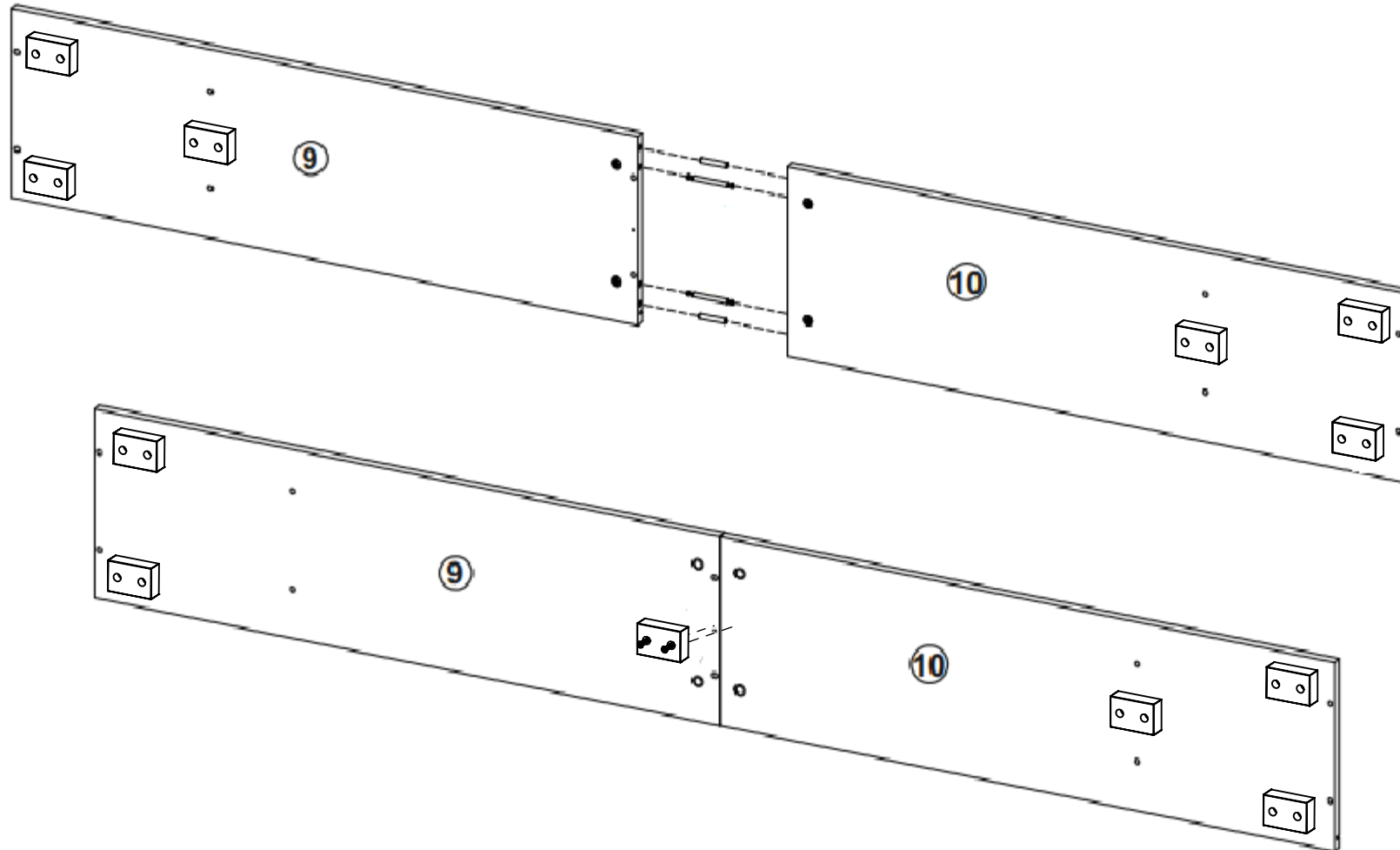
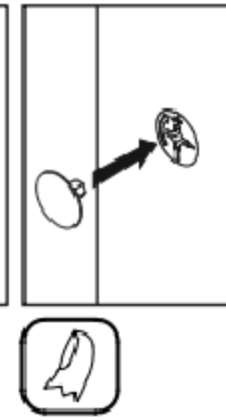
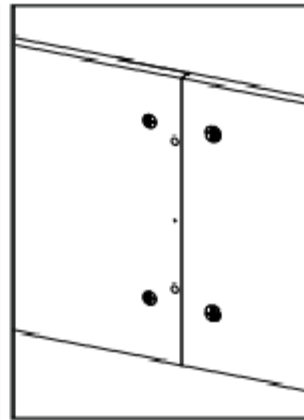
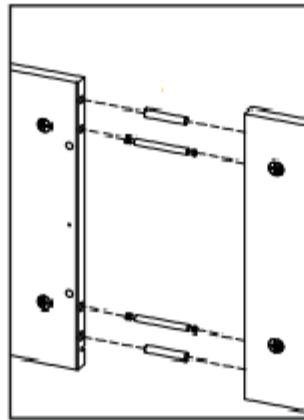
10.



# LP REGAL FRED

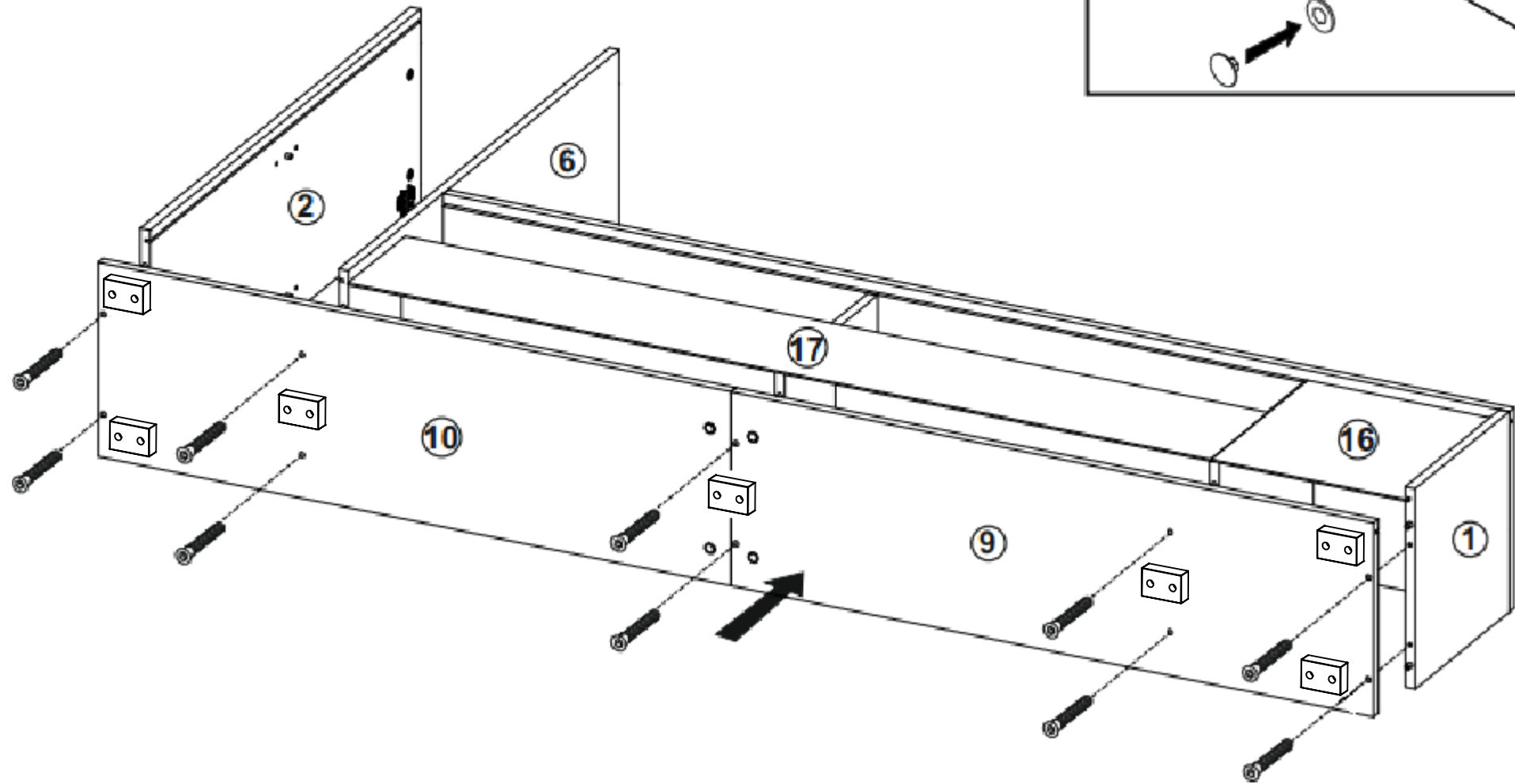
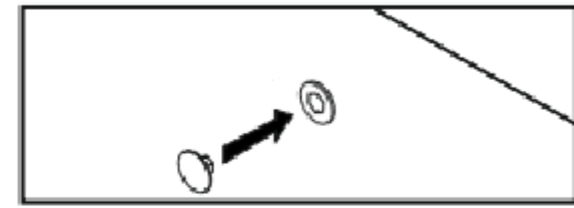
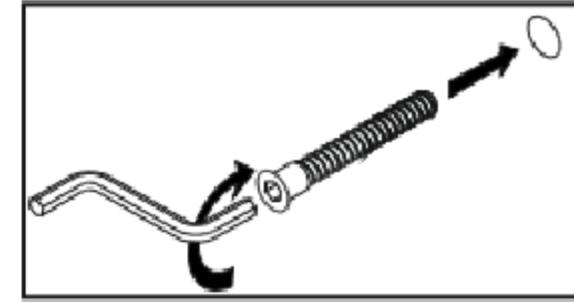
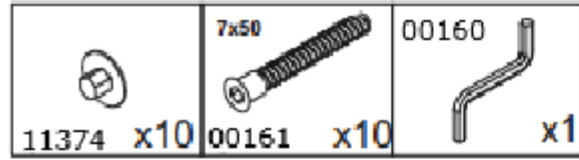
11.

8X47  09301 x2	 05297 x2	4X20  00123 x2
 10396 x1	 11374 x4	 00160 x1



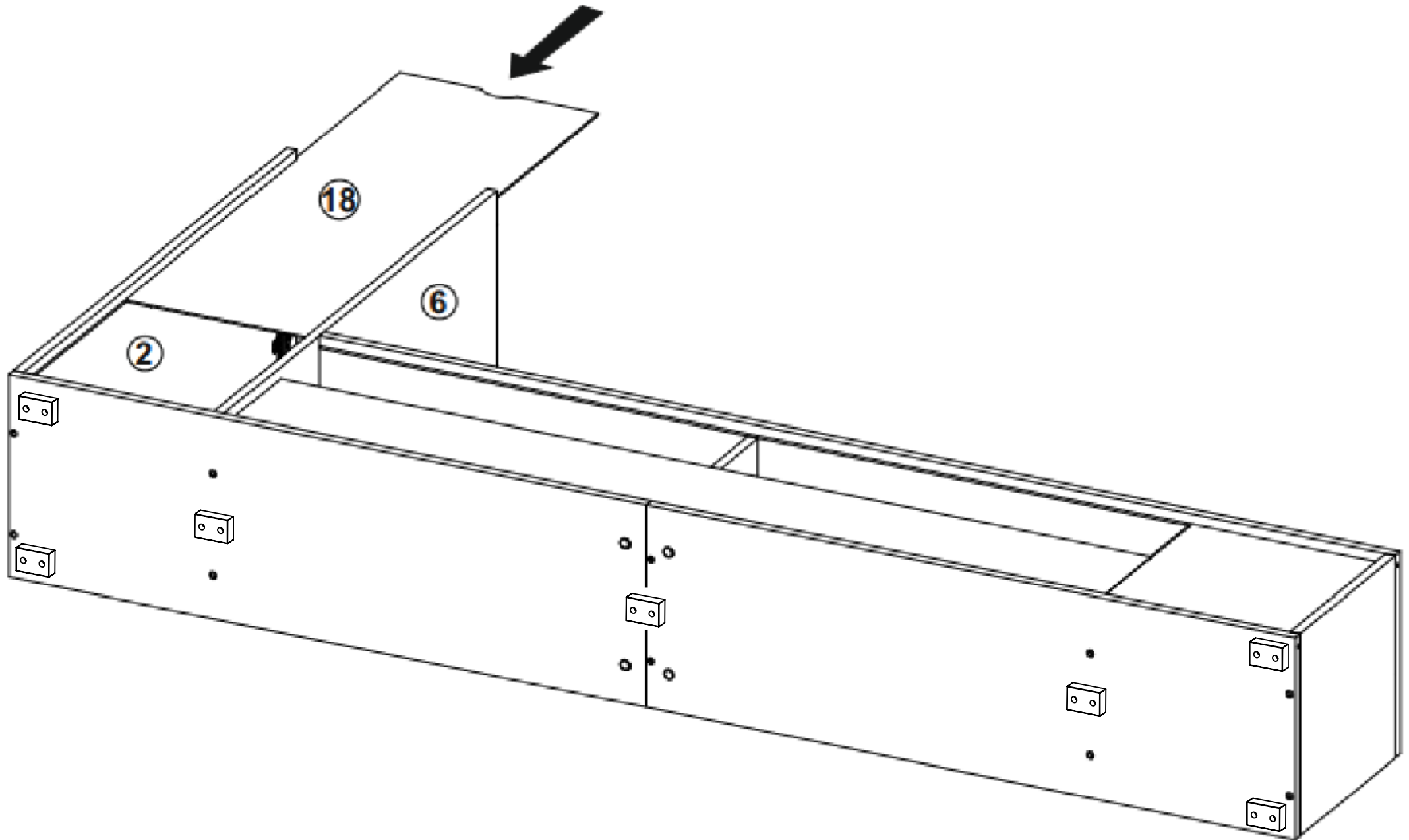
# LP REGAL FRED

12.



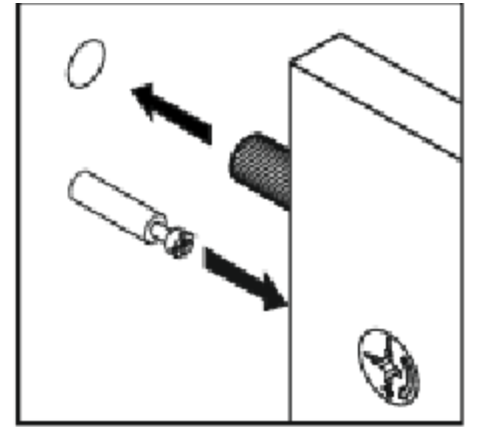
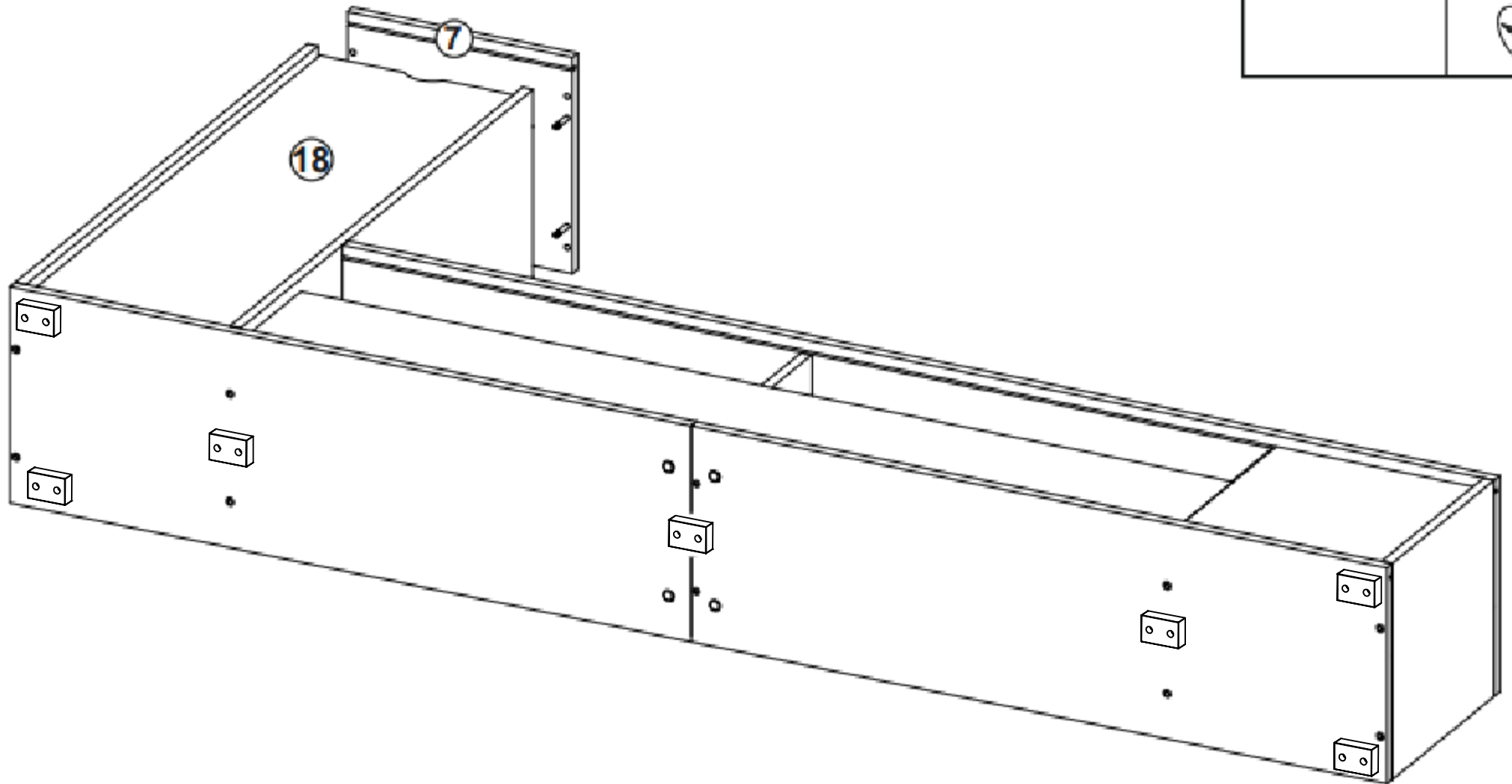
# LP REGAL FRED

13.



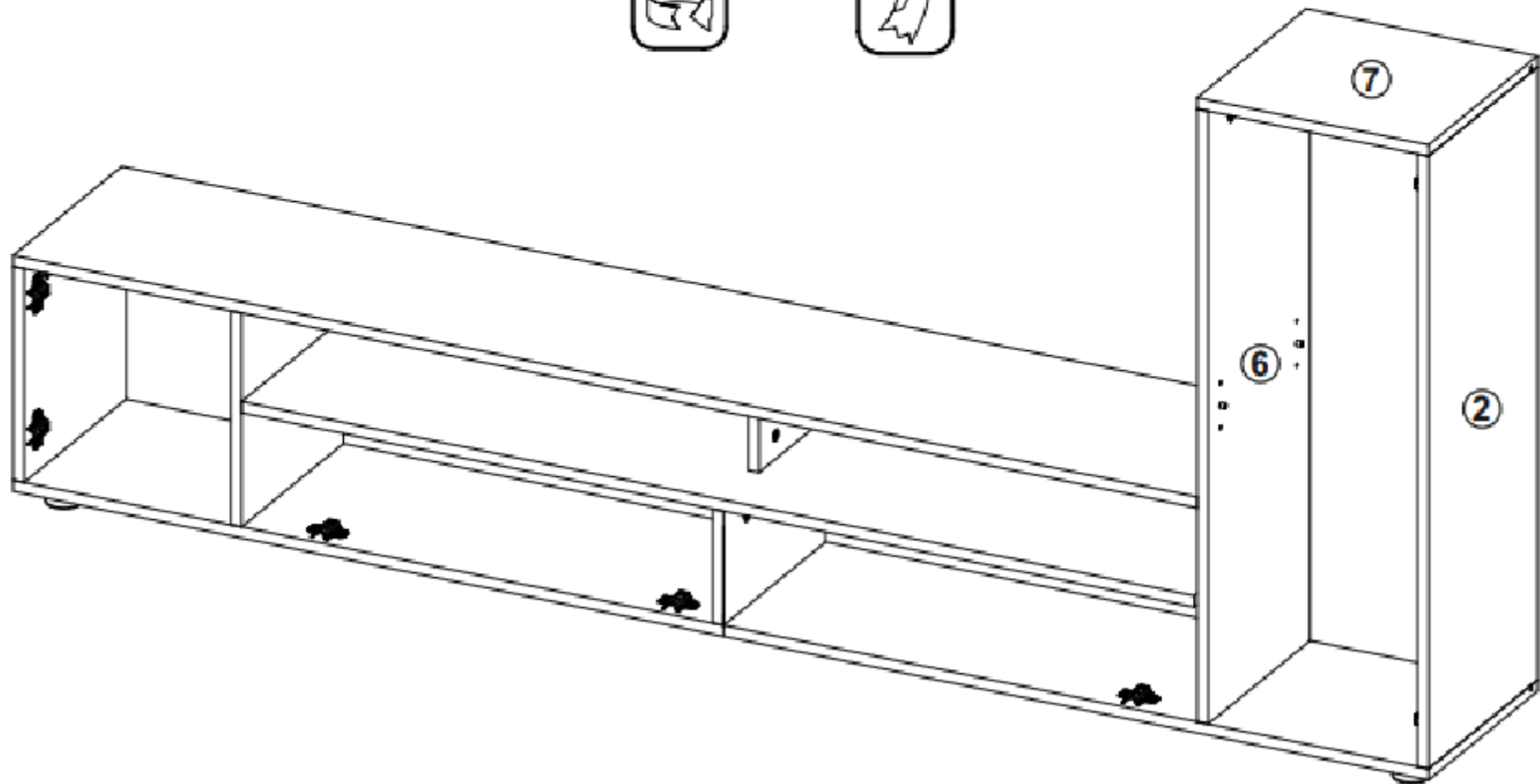
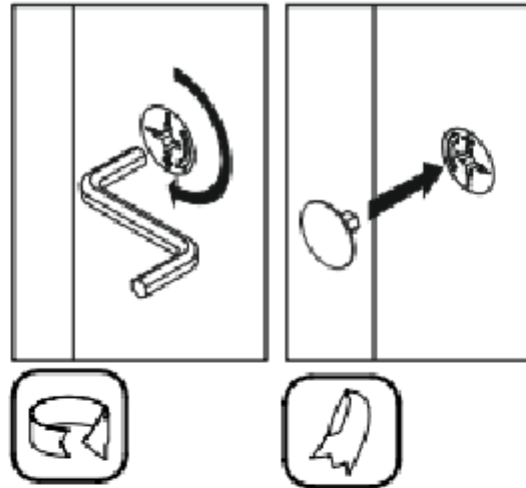
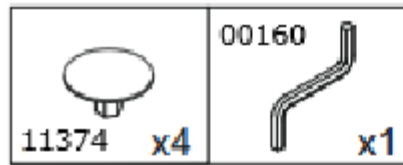
# LP REGAL FRED

14.



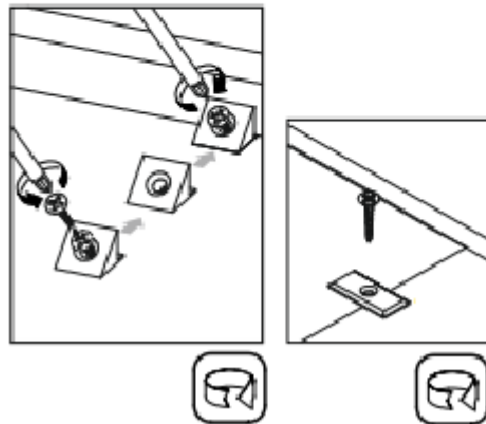
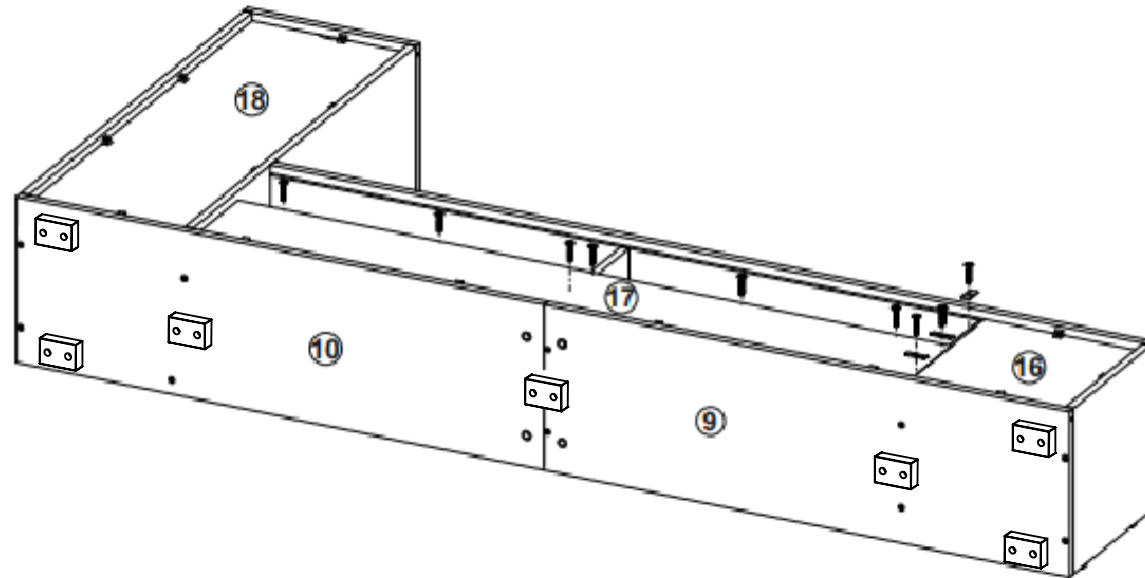
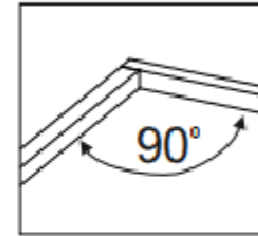
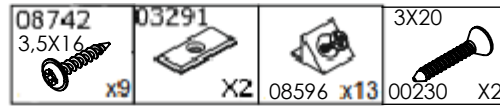
# LP REGAL FRED

15.



# LP REGAL FRED

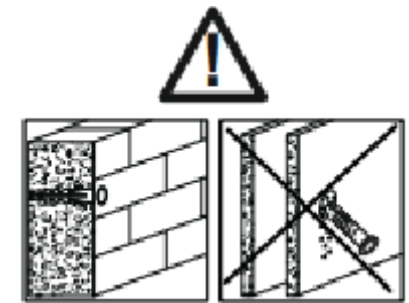
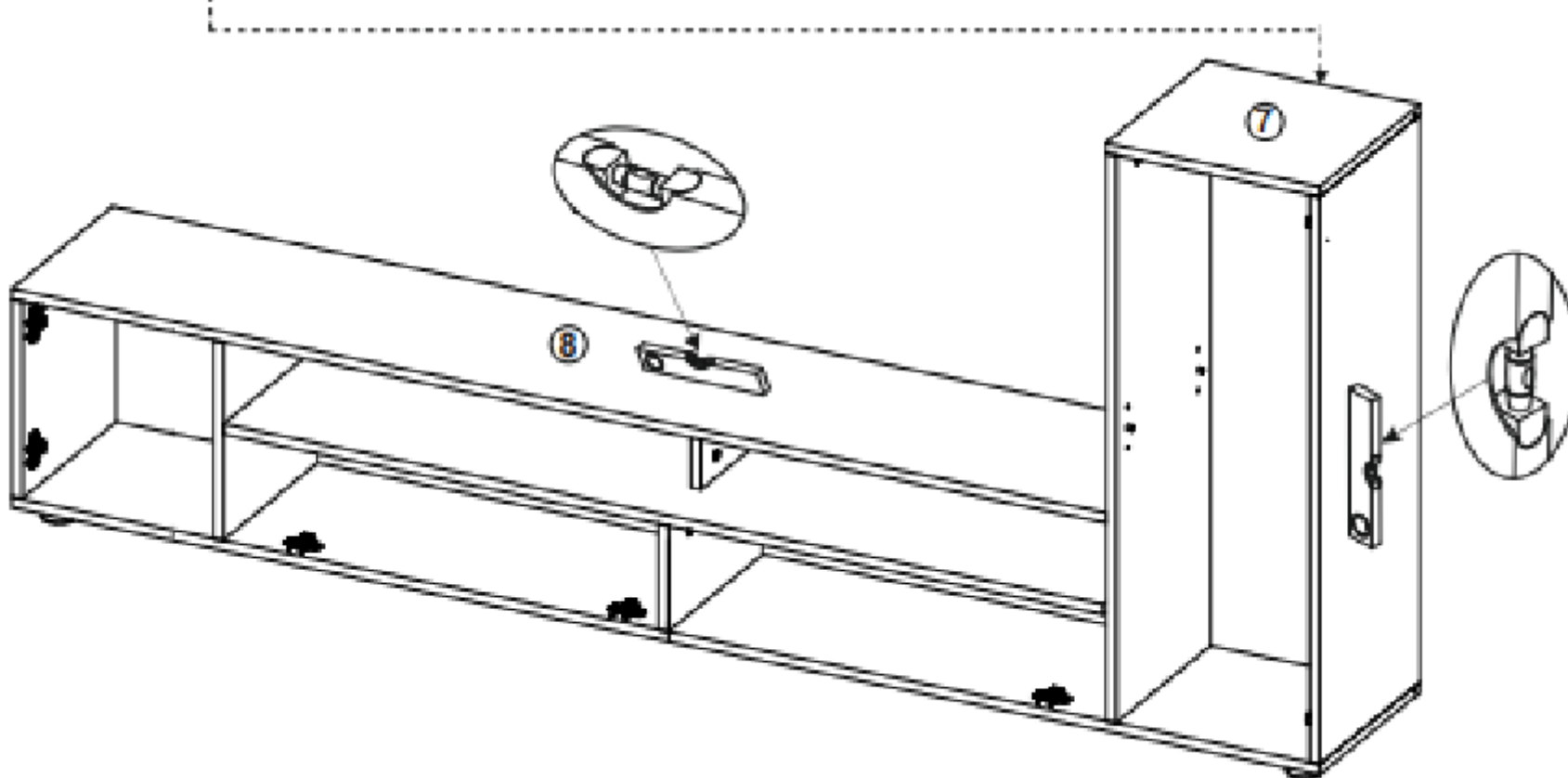
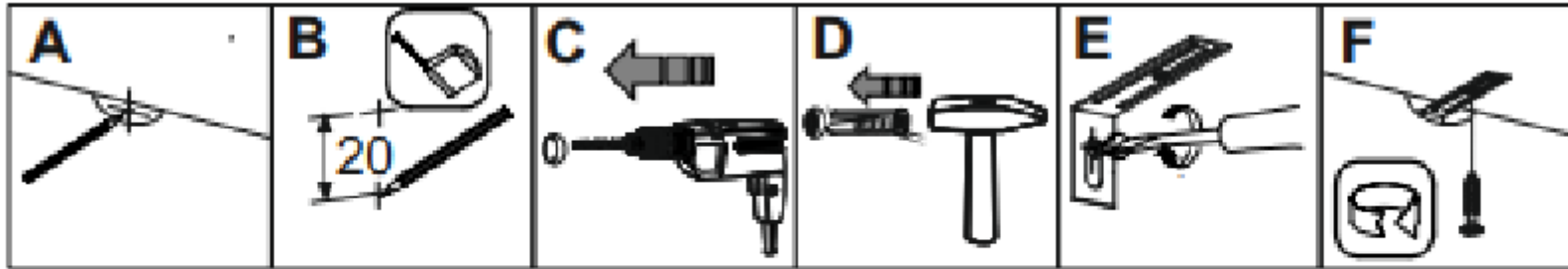
16.





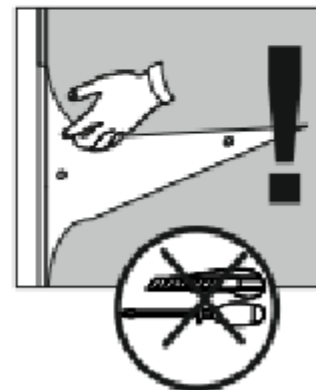
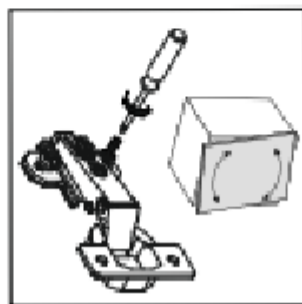
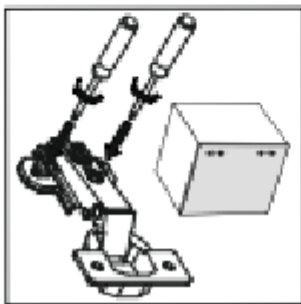
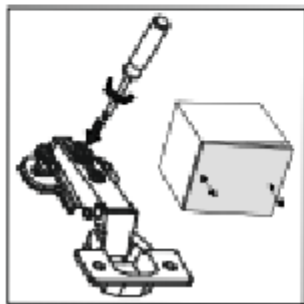
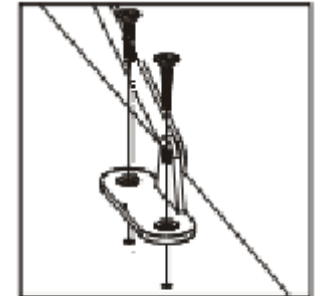
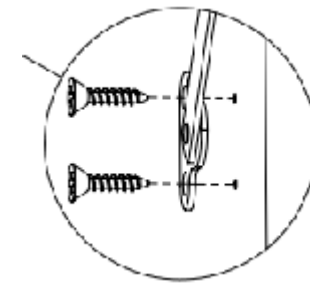
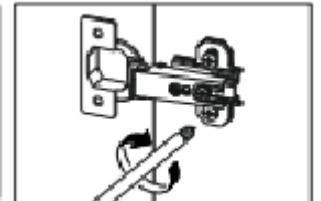
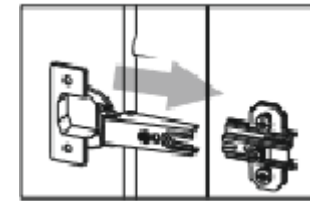
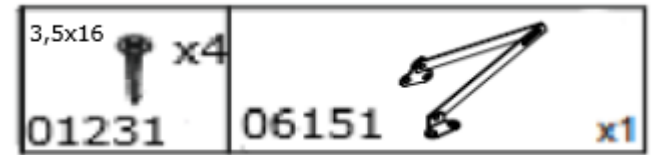
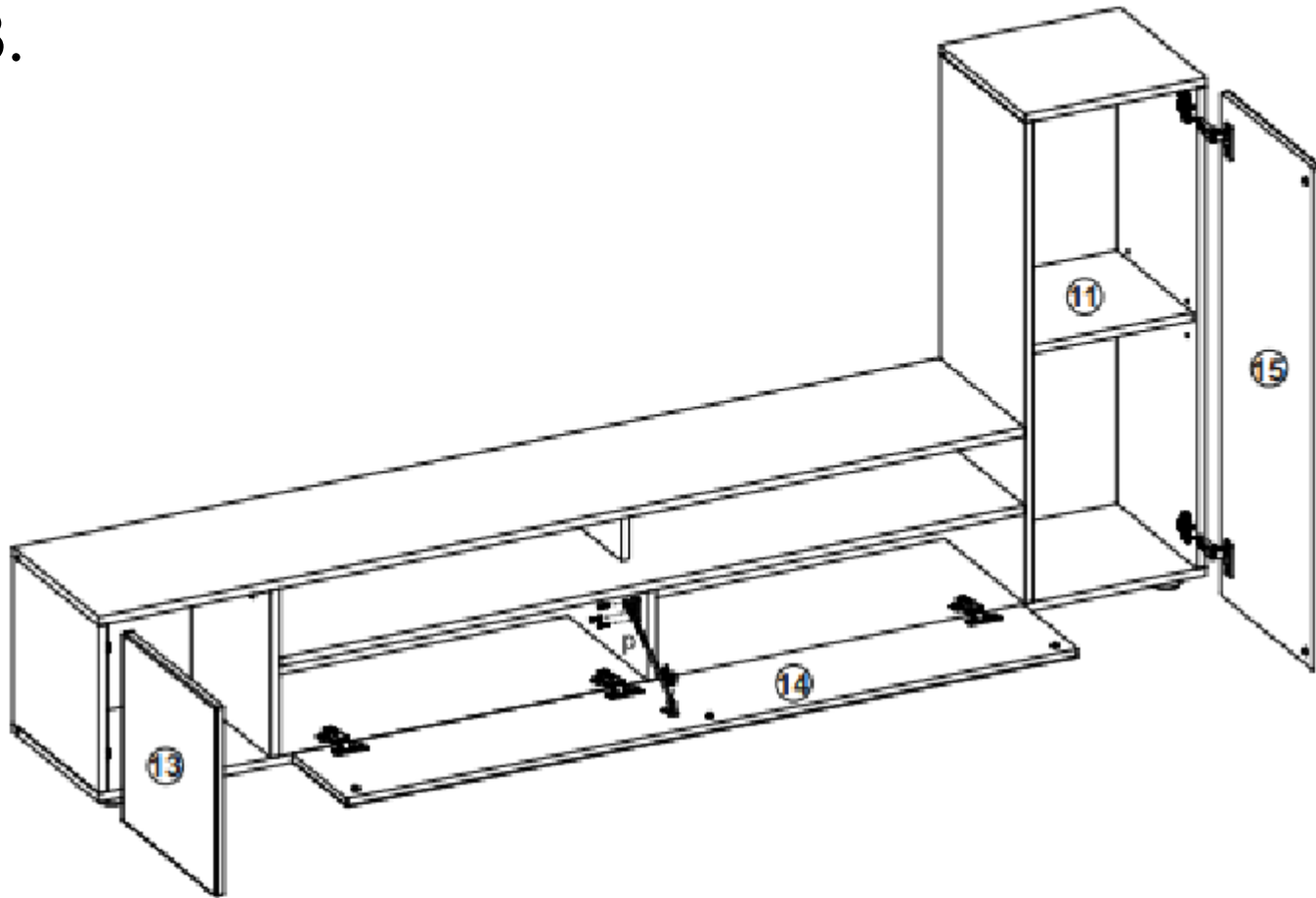
# LP REGAL FRED

17.



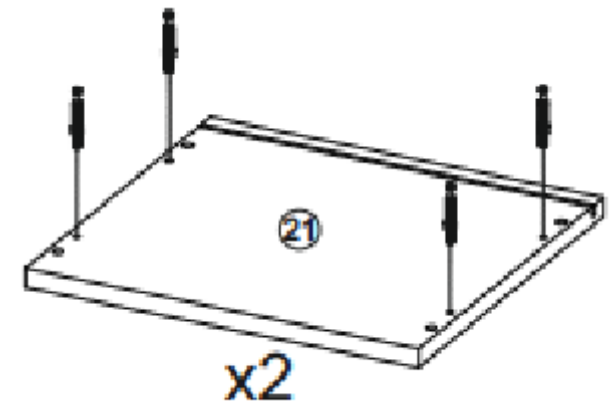
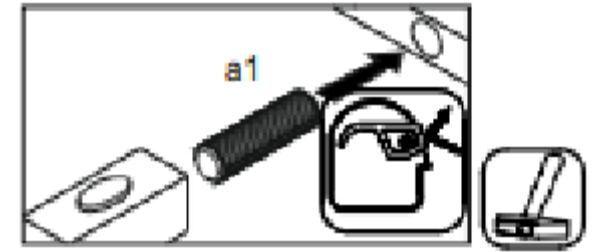
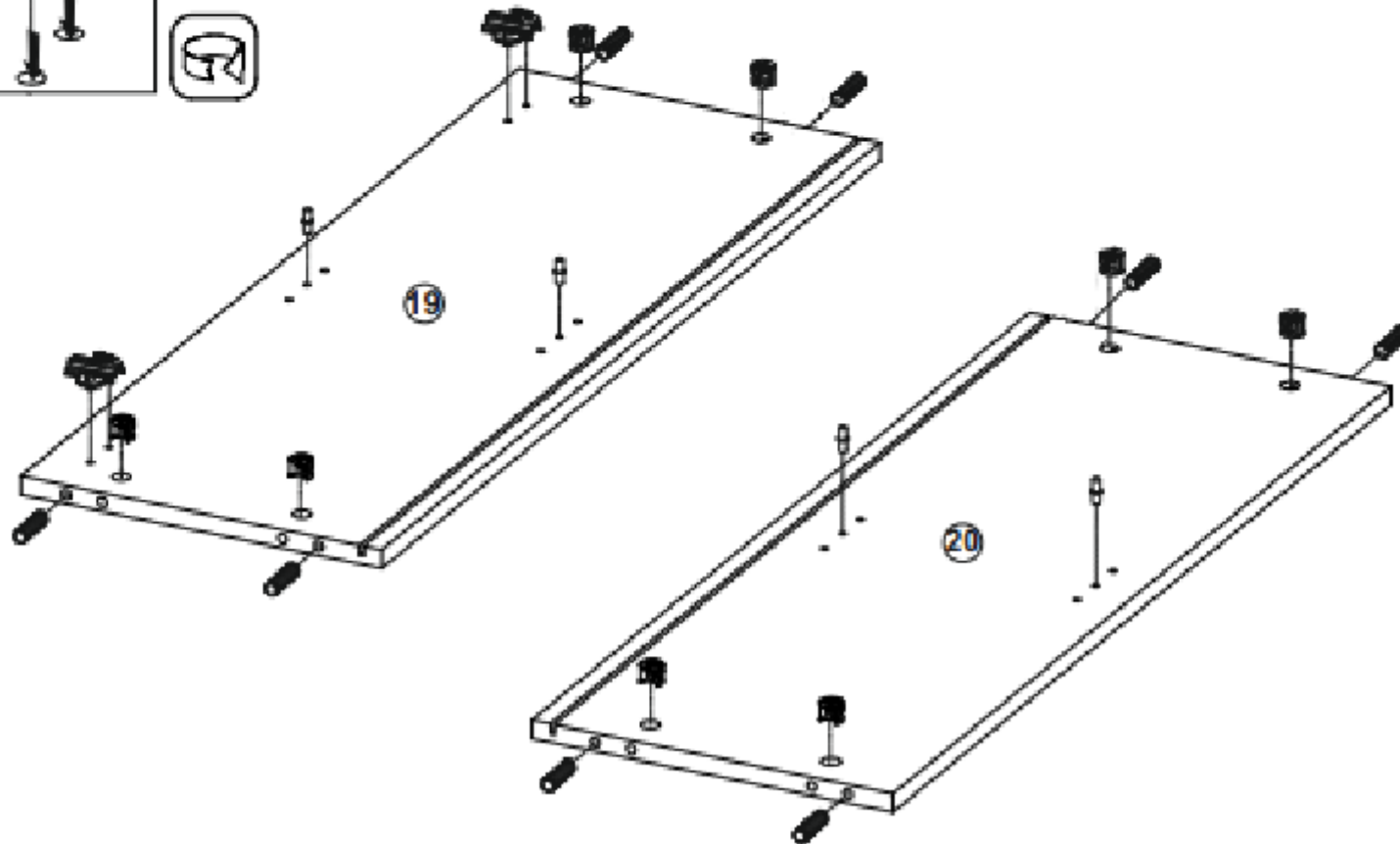
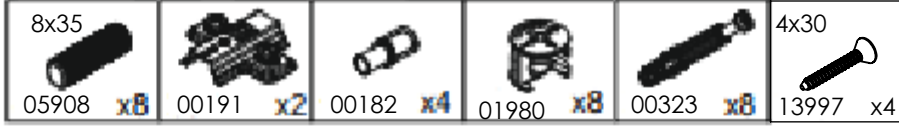
# LP REGAL FRED

18.



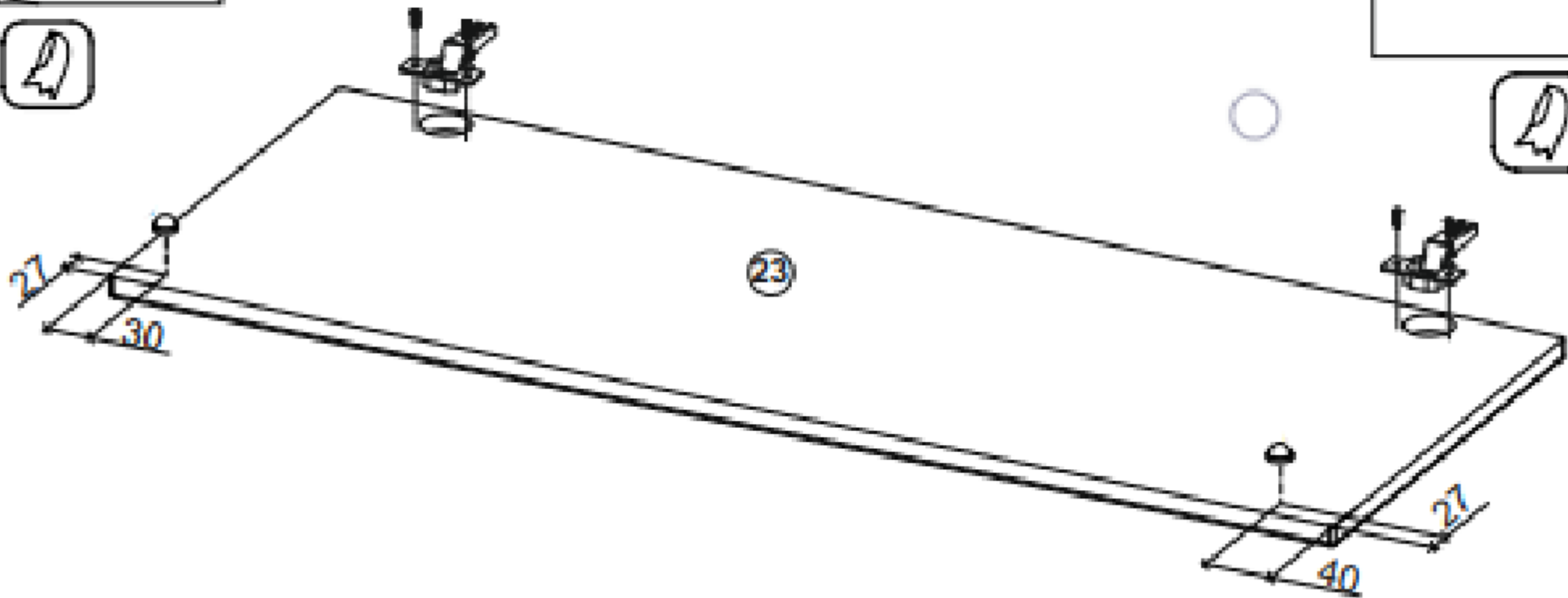
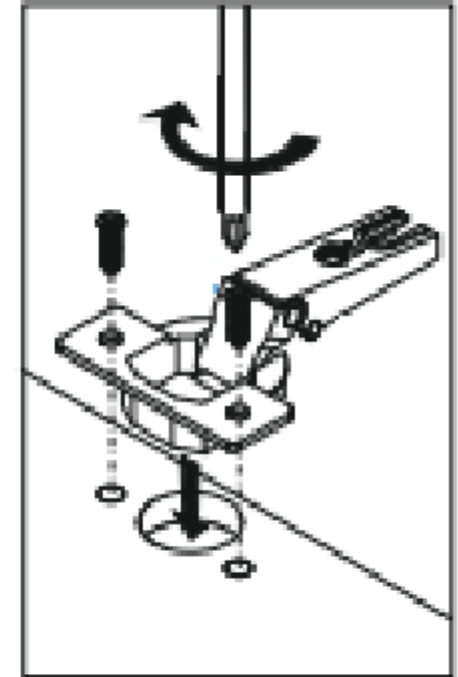
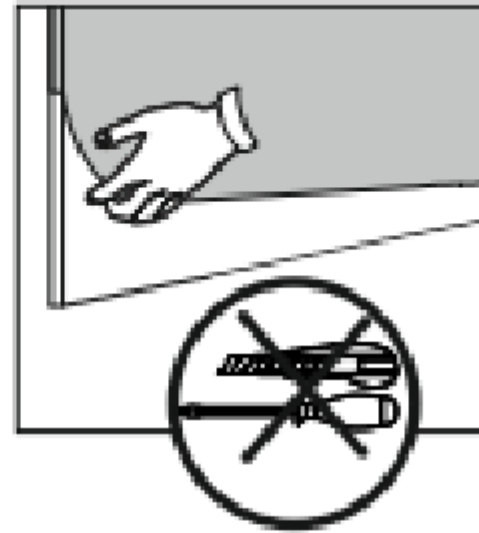
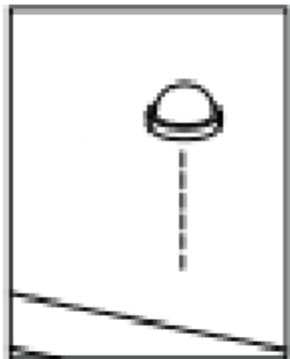
# LP REGAL FRED

19



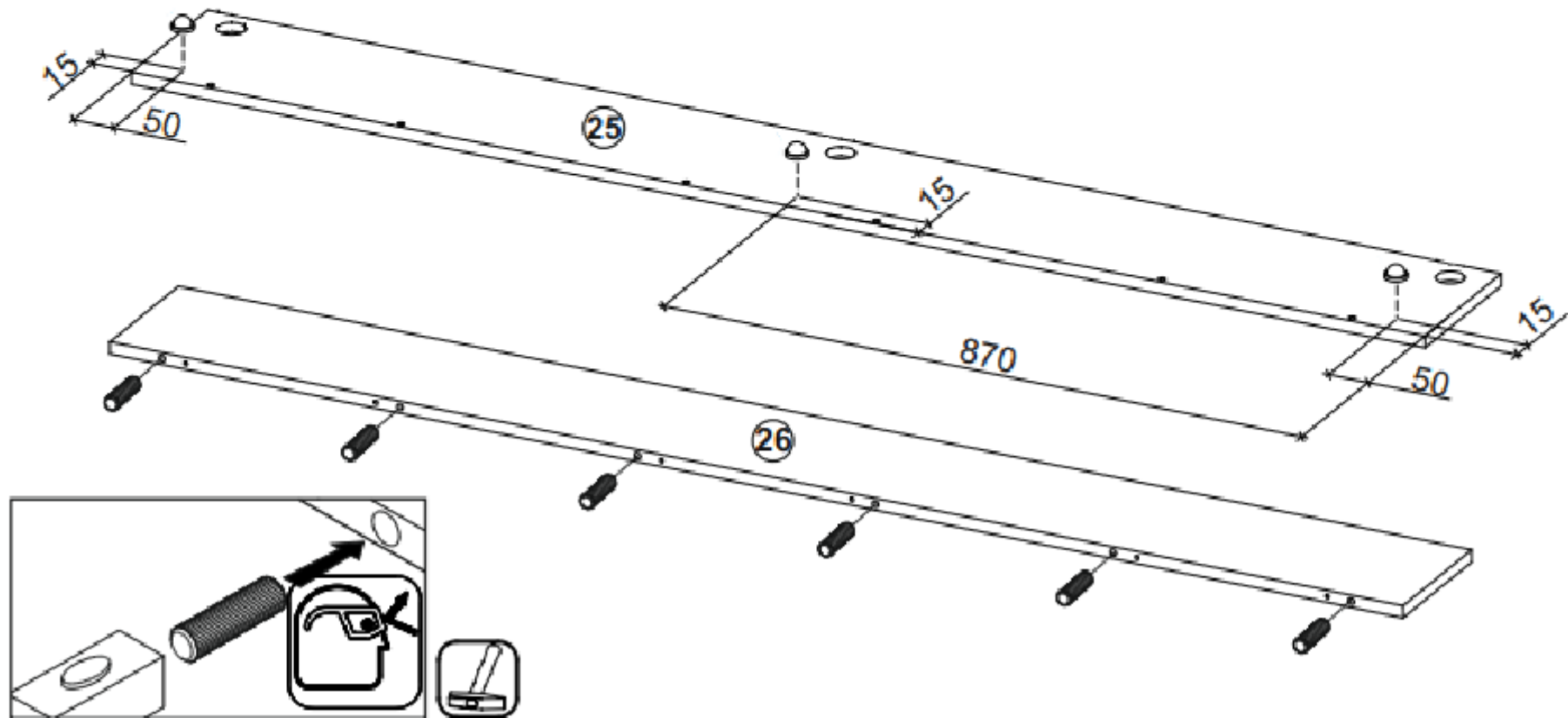
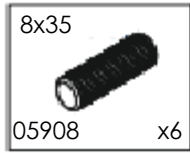
# LP REGAL FRED

20



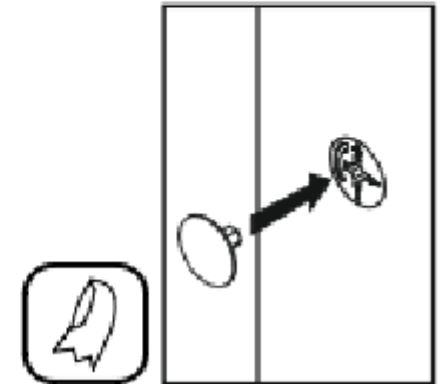
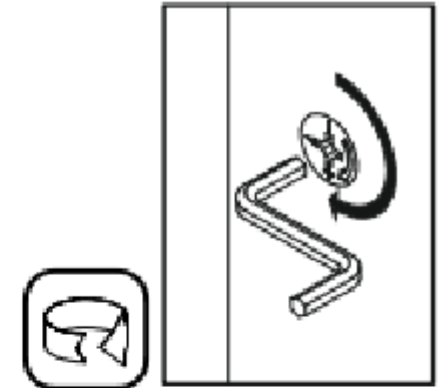
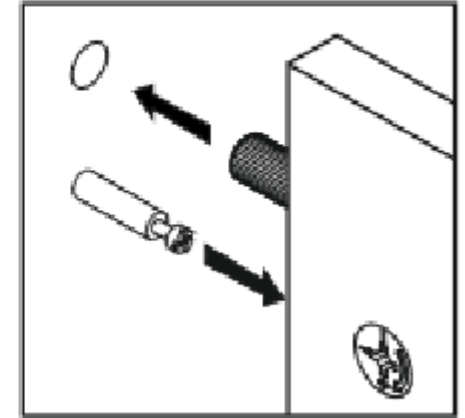
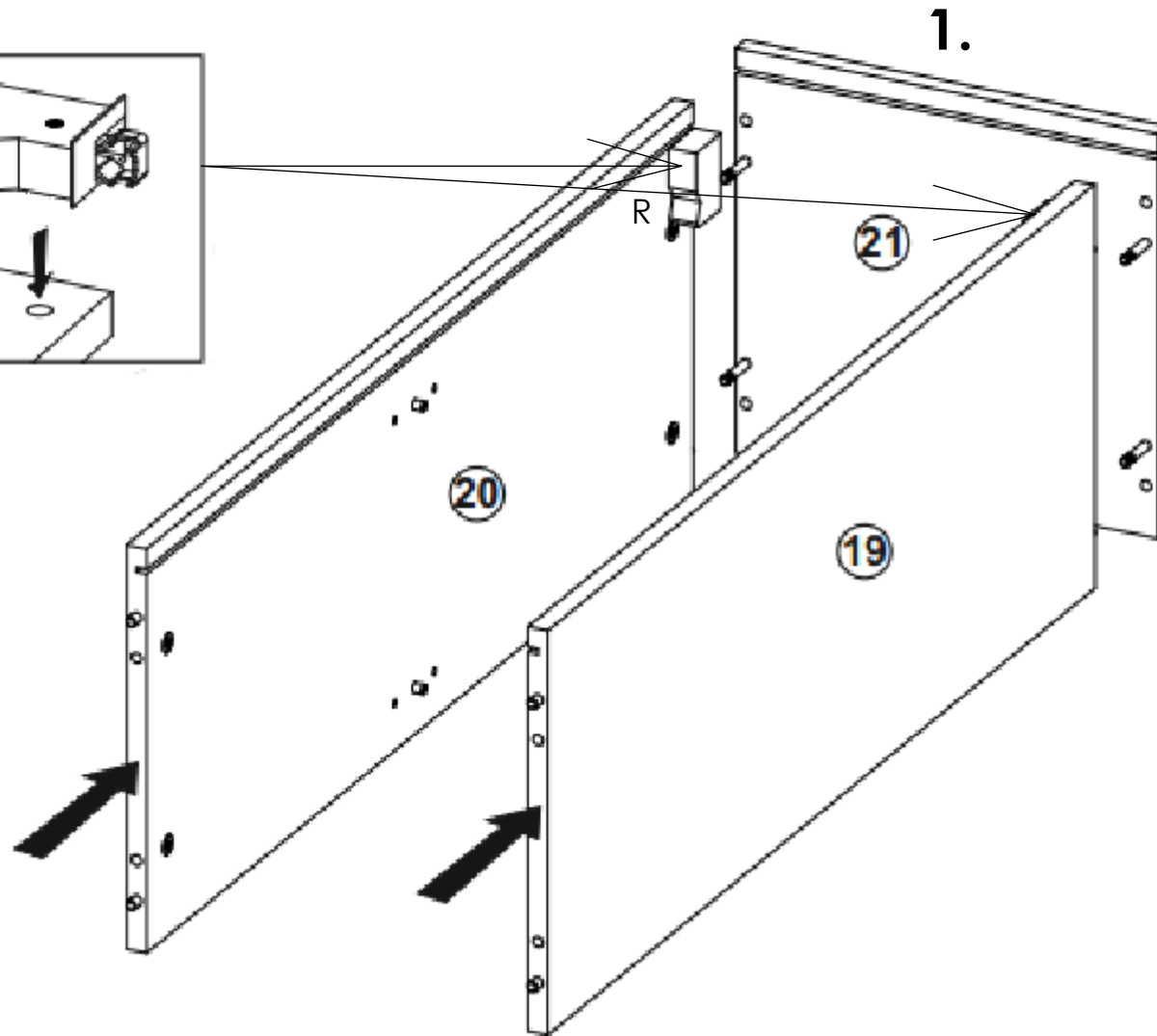
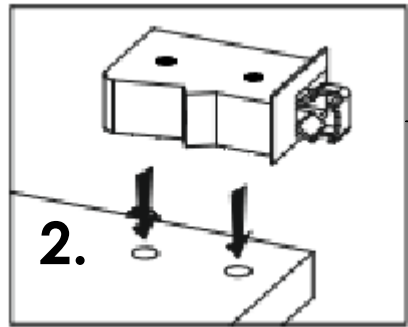
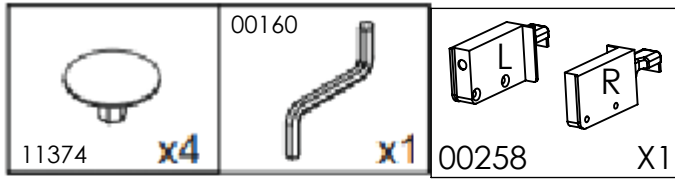
# LP REGAL FRED

21



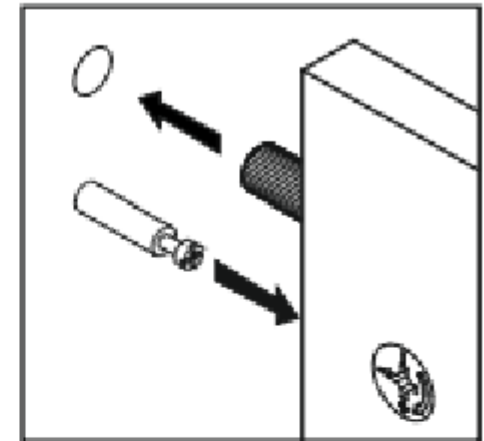
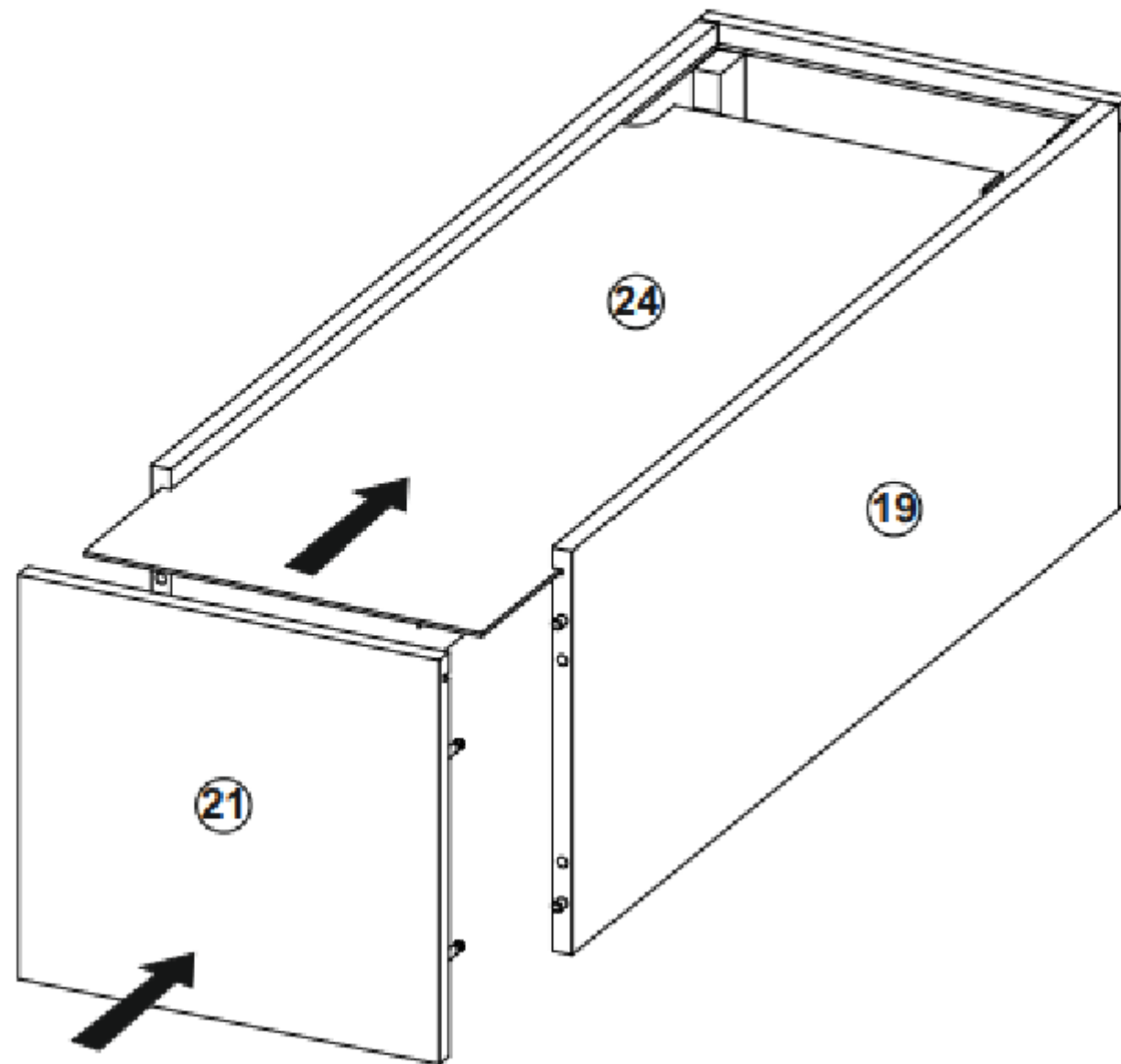
# LP REGAL FRED

22



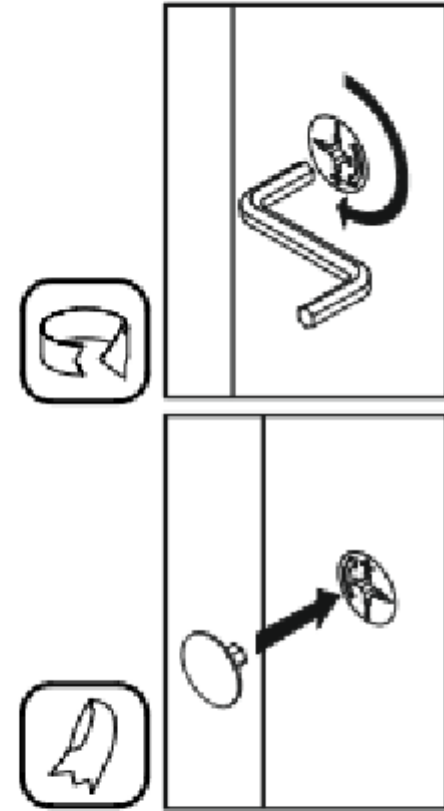
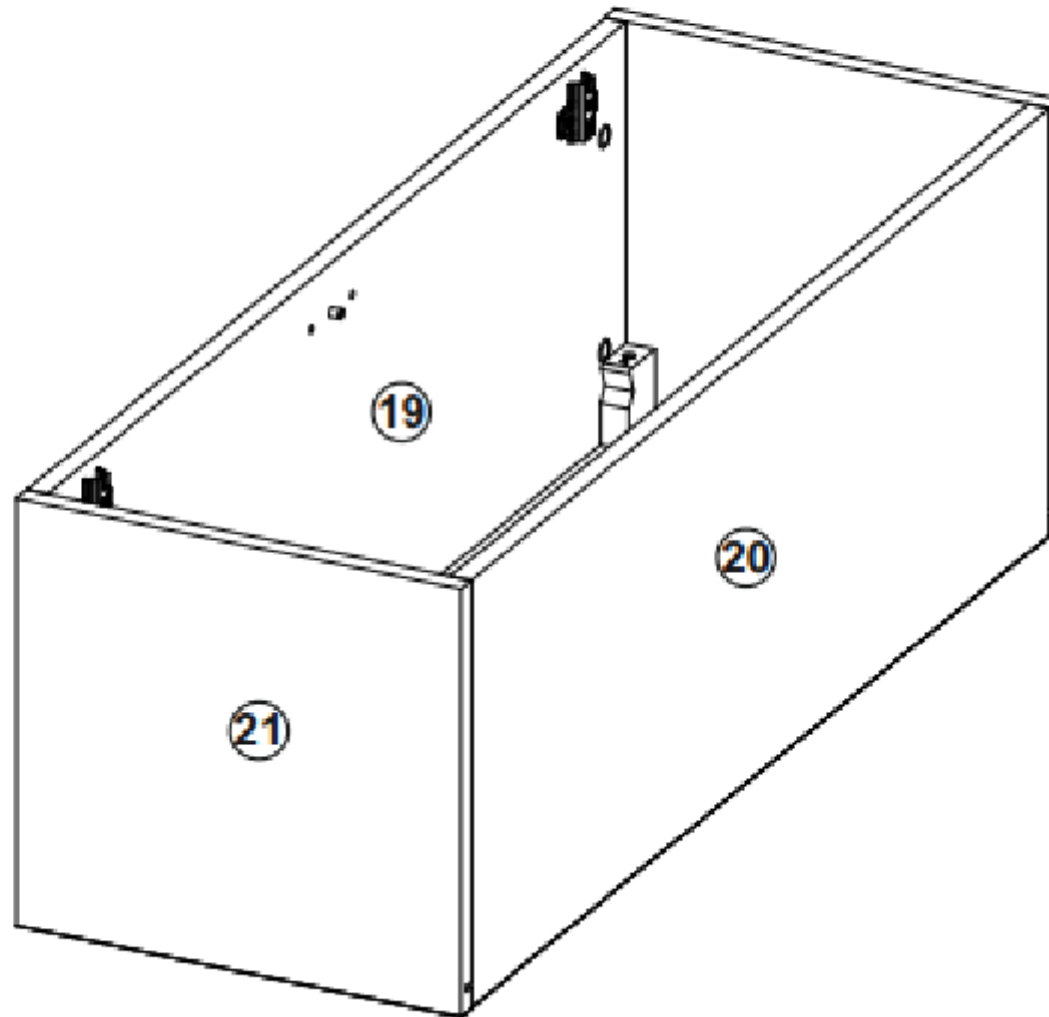
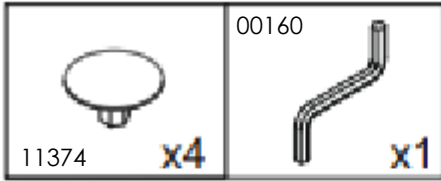
# LP REGAL FRED

23



# LP REGAL FRED

24



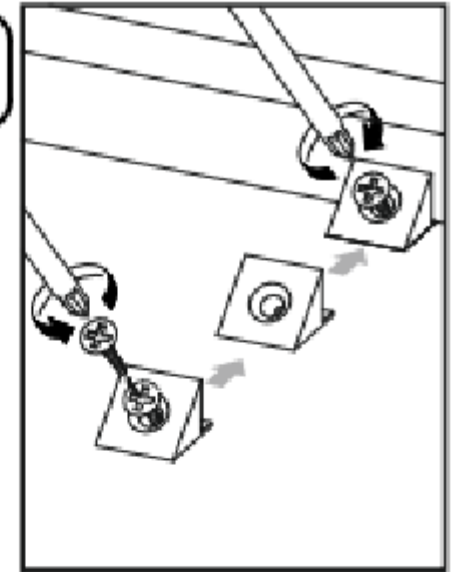
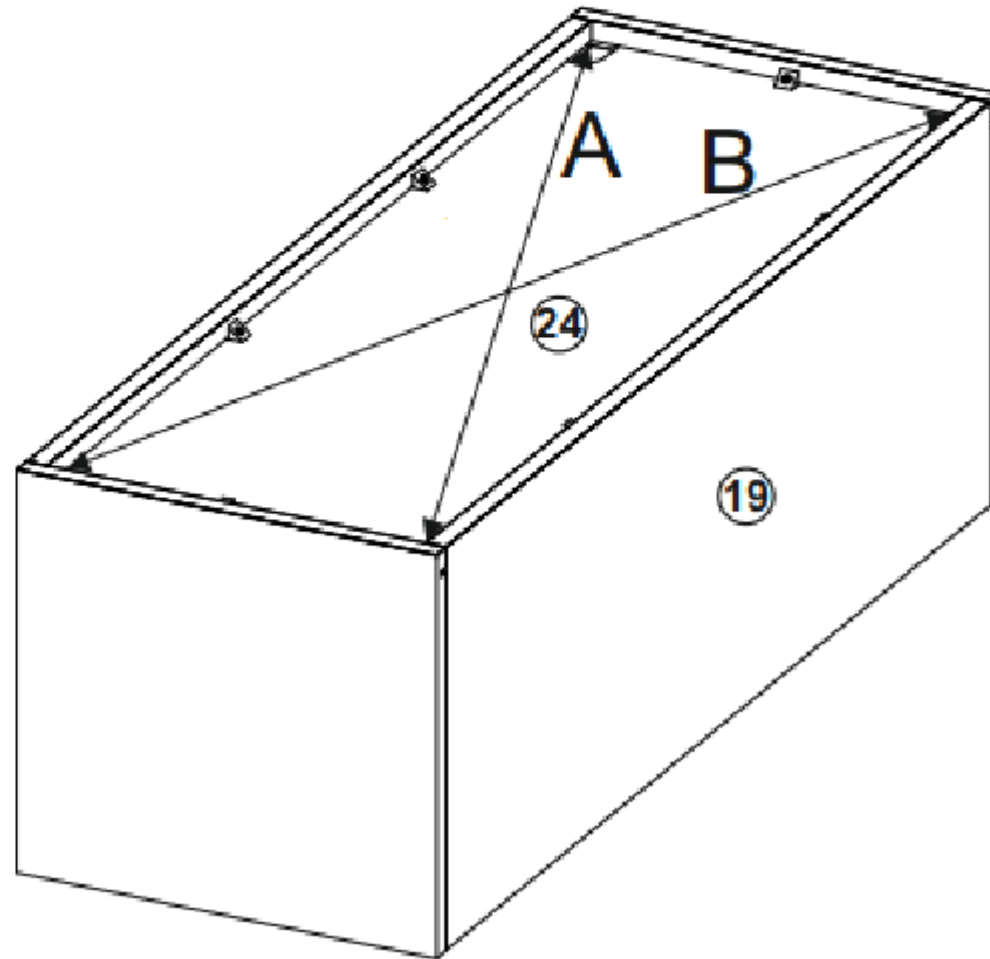


# LP REGAL FRED

25

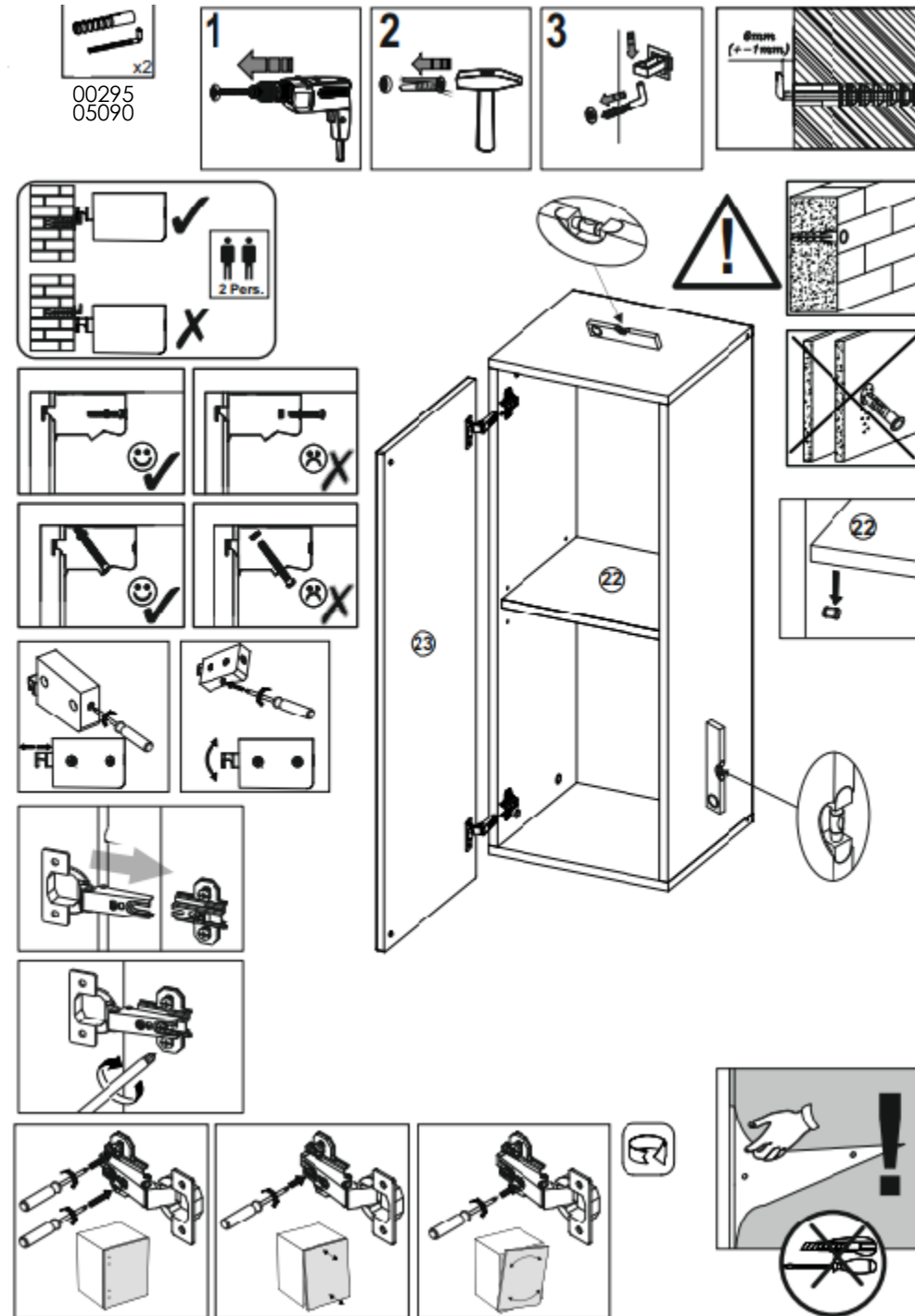


A=B



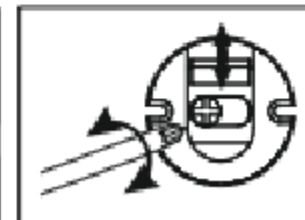
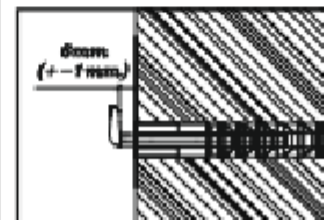
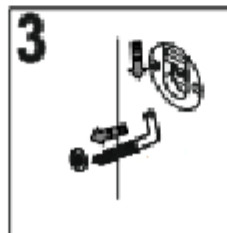
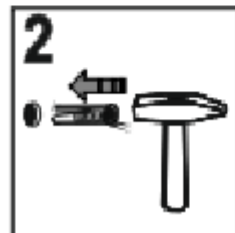
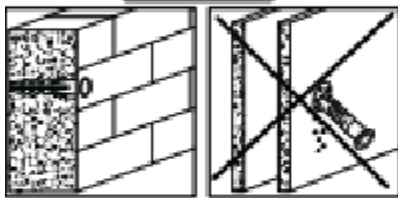
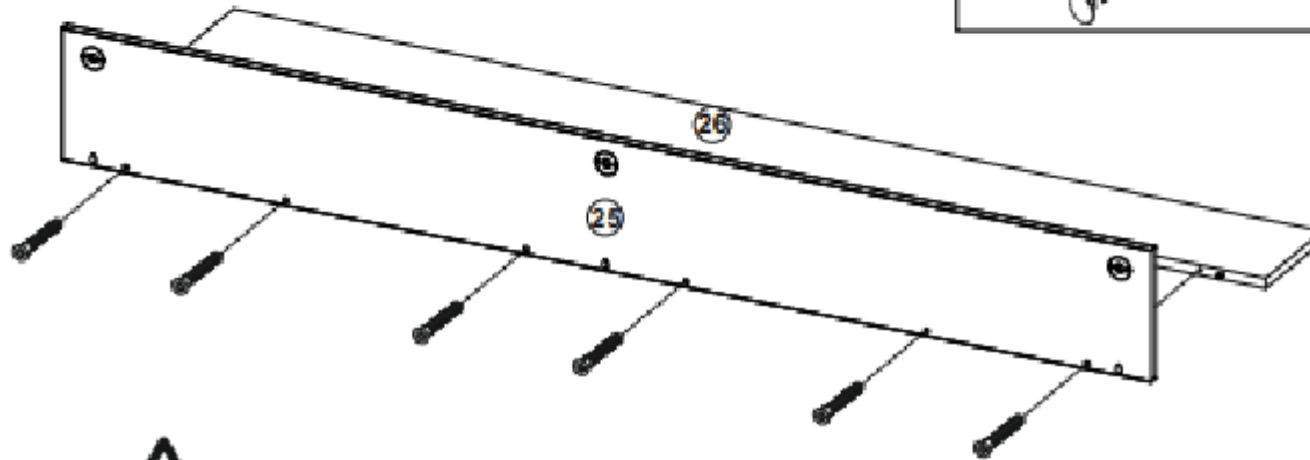
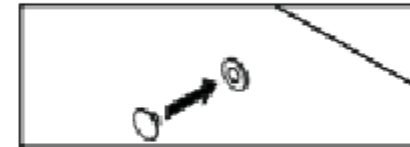
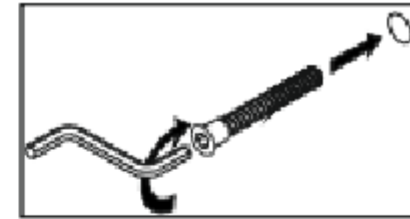
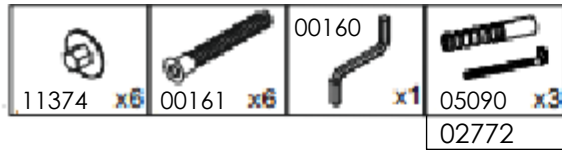
# LP REGAL FRED

26



# LP REGAL FRED

27



# LP REGAL FRED

28

