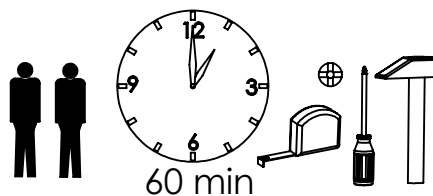
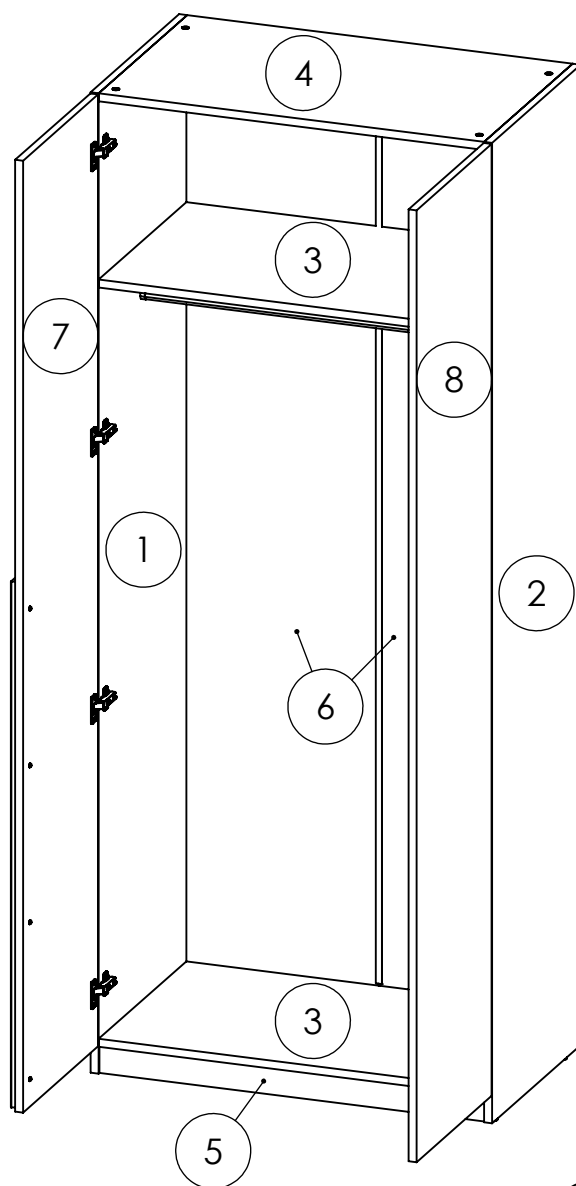


**LP KARLA ormar 2D**



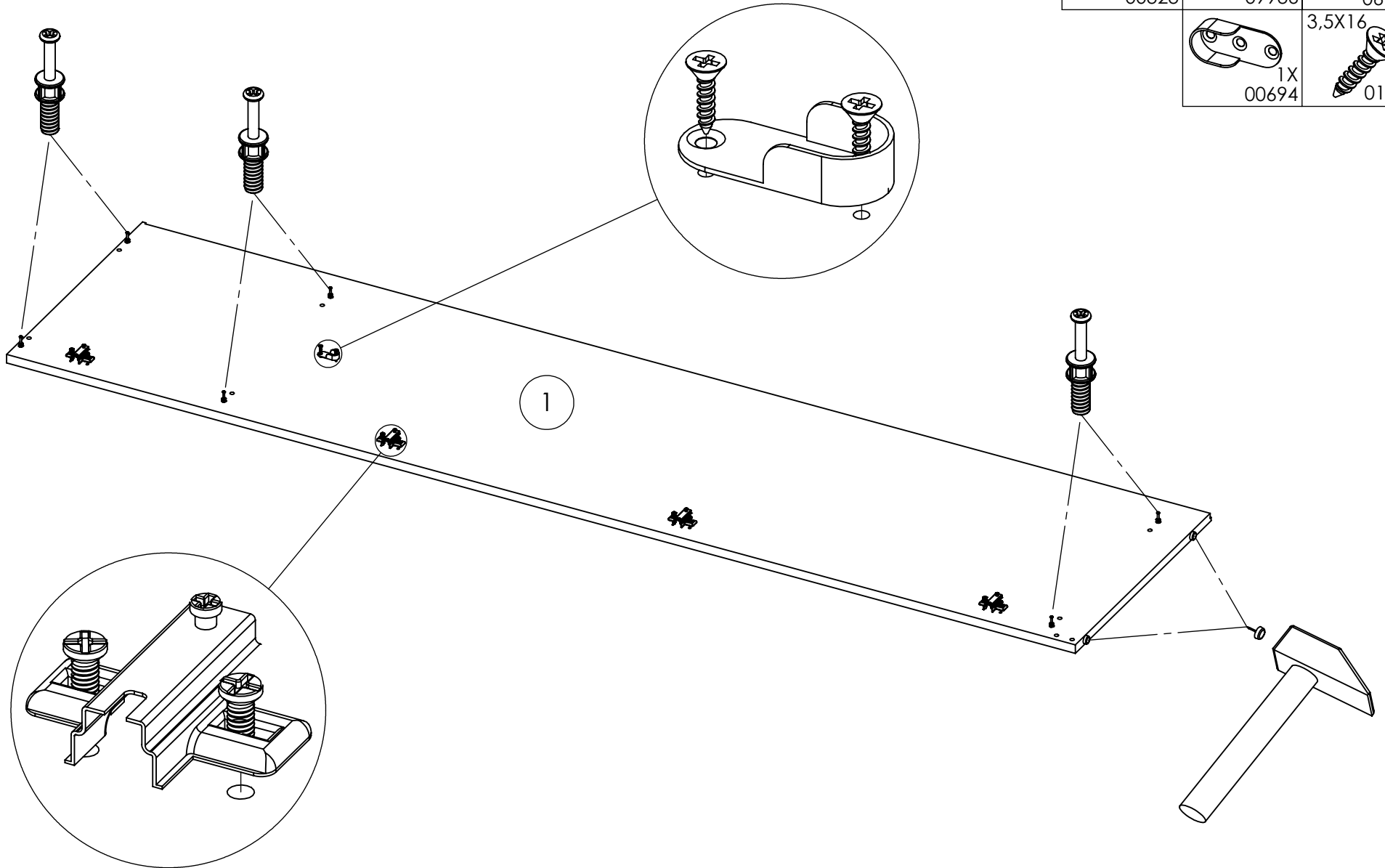
	DIM	kom	pak
1.	2200X530	1	1
2.	2200X530	1	1
3.	872X526	2	2
4.	872X530	1	2
5.	872X60	1	2
6.	2130X444	2	1
7.	2136X450	1	3
8.	2136X450	1	3

 16X 05908	 12X 00324	 12X 00323	 20X 01231	 4X 06155
 4X 25336	 8X 09936	 8X 09936	 1X 02249	 2X 00694
 50X 10109	 1X 25579	 4X 00125	 1X 25576	

# LP KARLA ormar 2D

1.

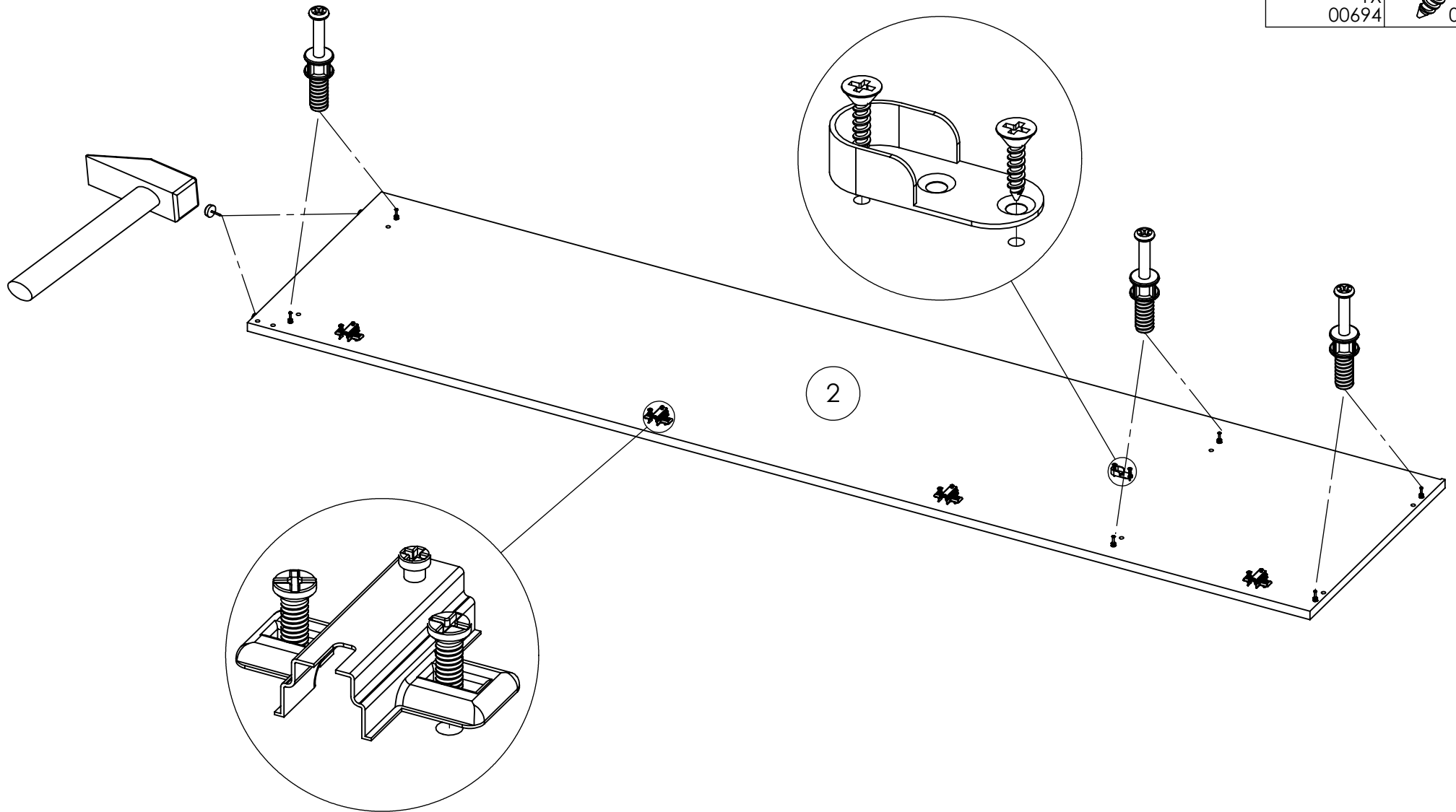
7X24 6X 00323	4X 09936	2X 06155
1X 00694	3,5X16 2X 01231	



# LP KARLA ormar 2D

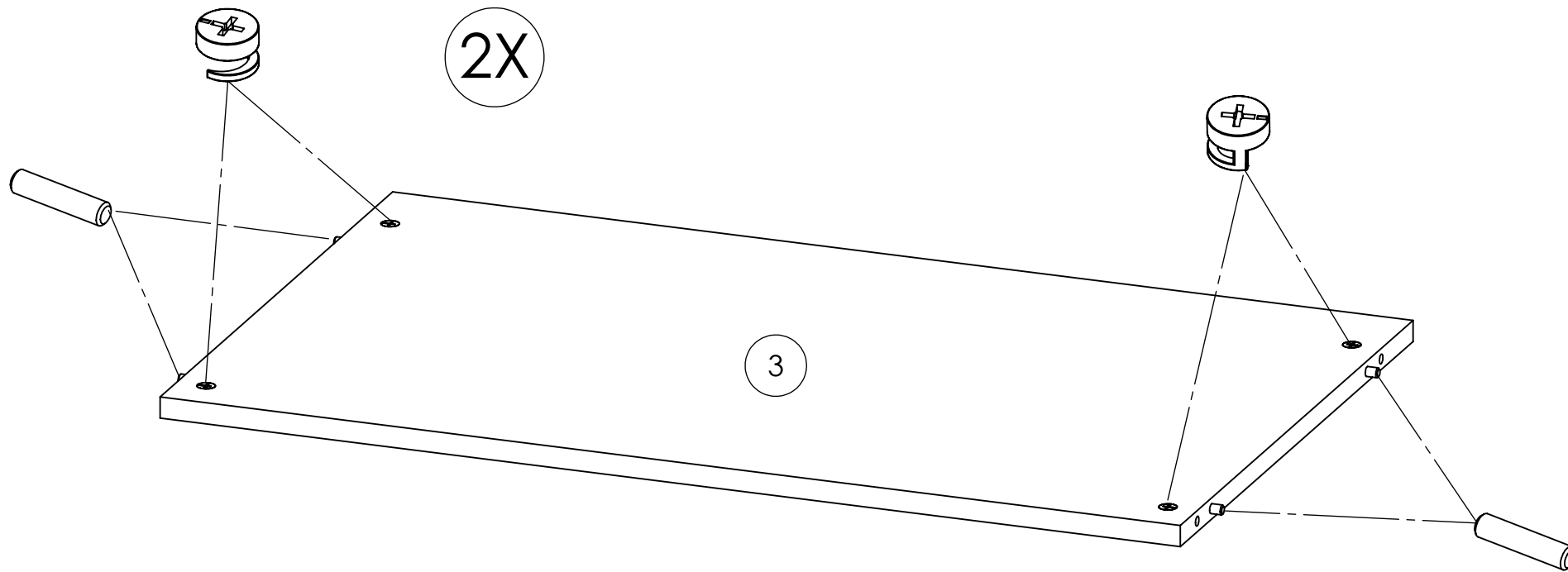
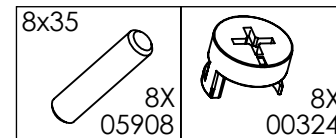
2.

7X24 6X 00323	4X 09936	2X 06155
1X 00694	3,5X16 2X 01231	





# LP KARLA ormar 2D

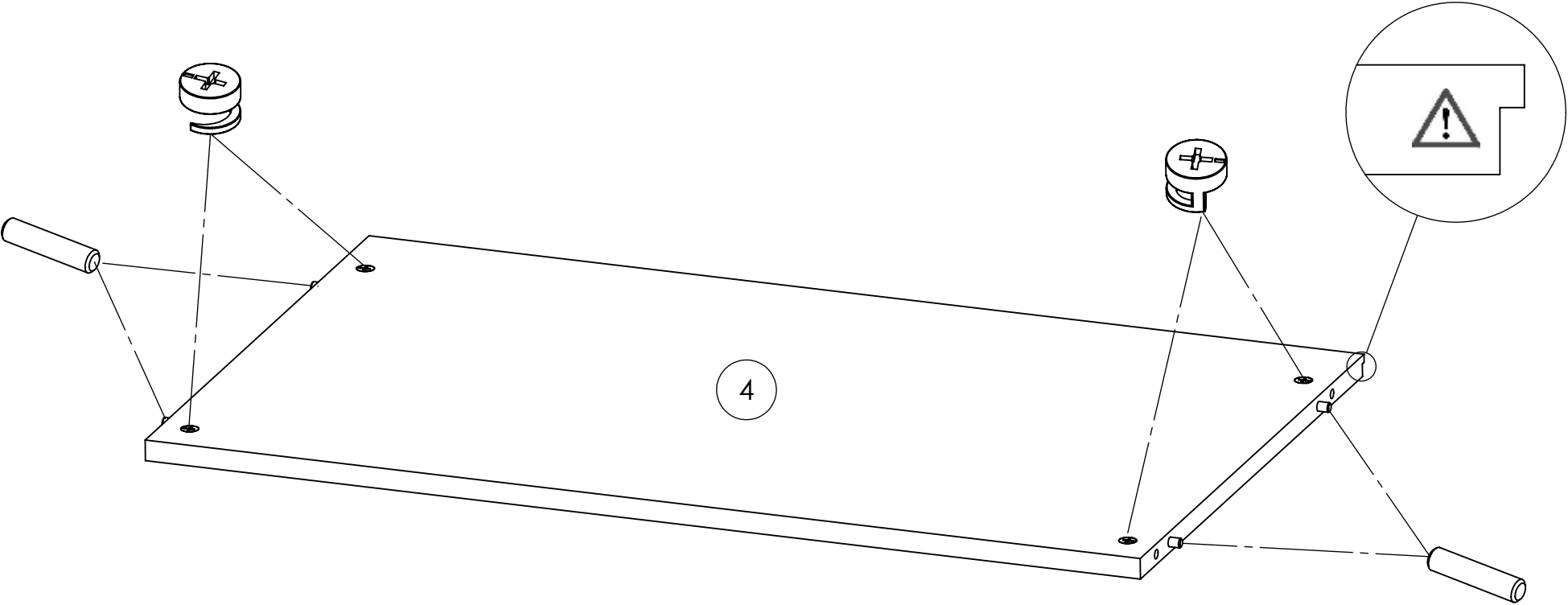
3.



# LP KARLA ormar 2D

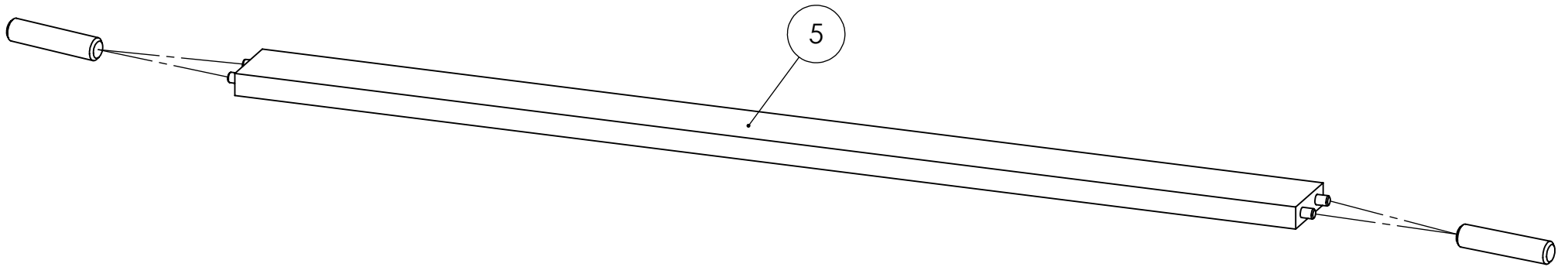
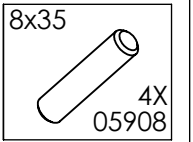
4.

8x35			
	4X		4X
05908		00324	



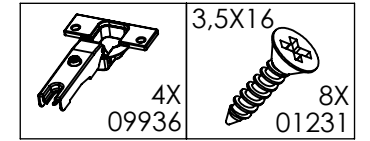
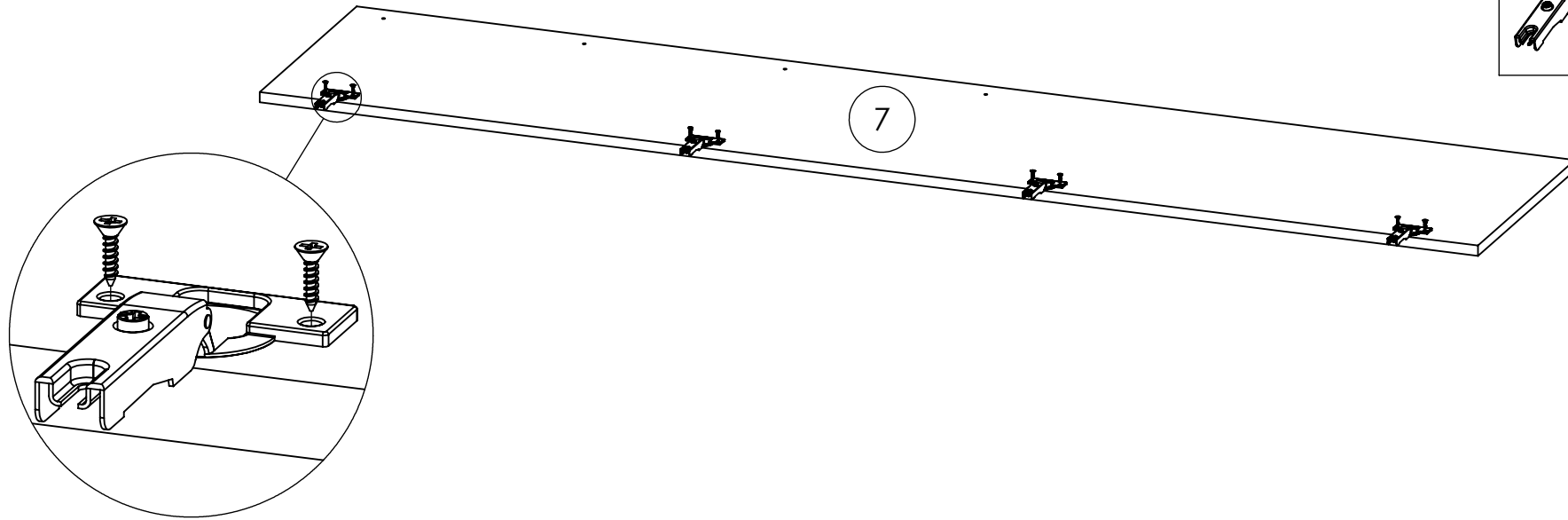
# LP KARLA ormar 2D

5.

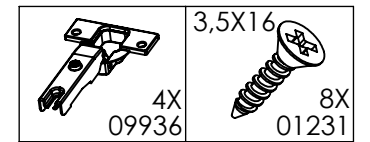
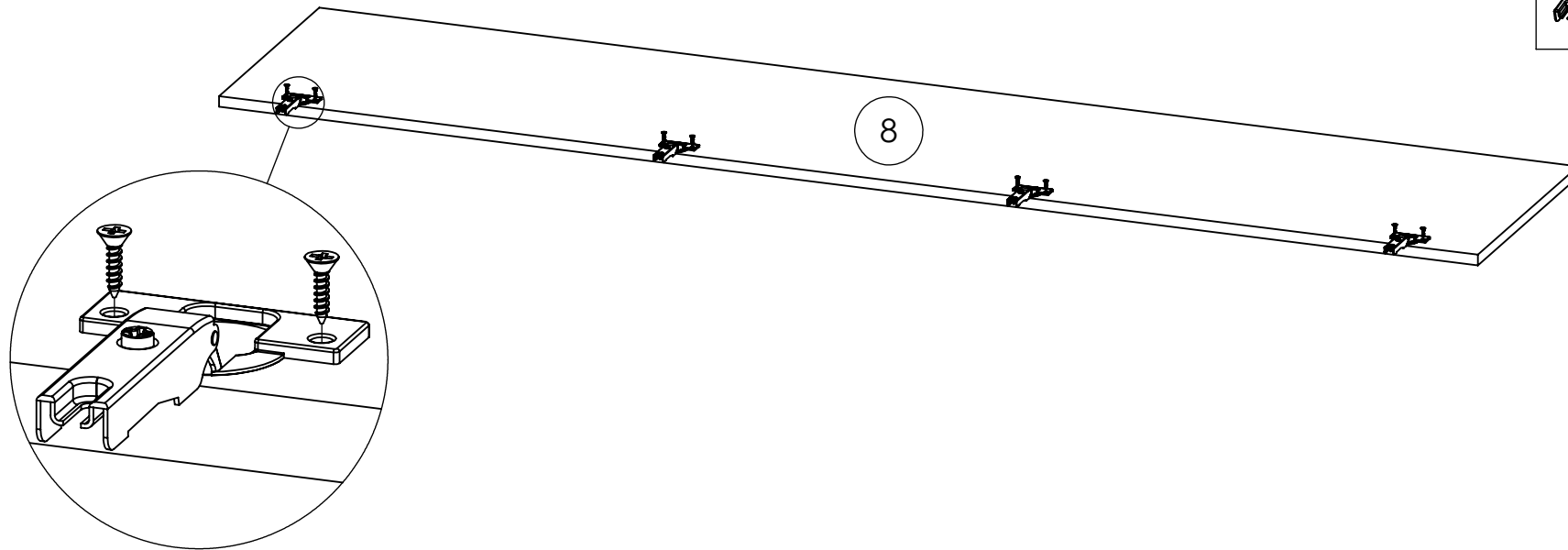


# LP KARLA ormar 2D

6.

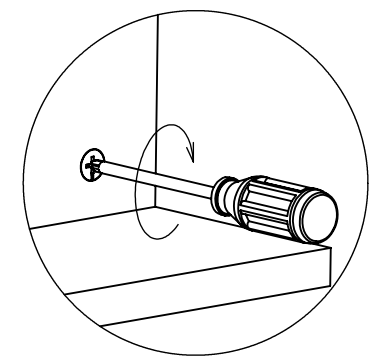
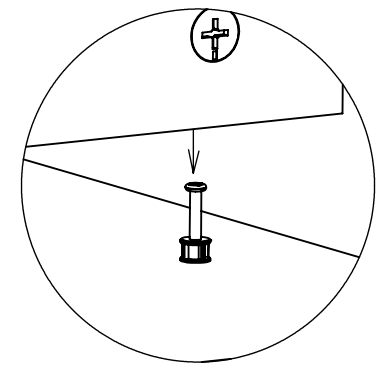
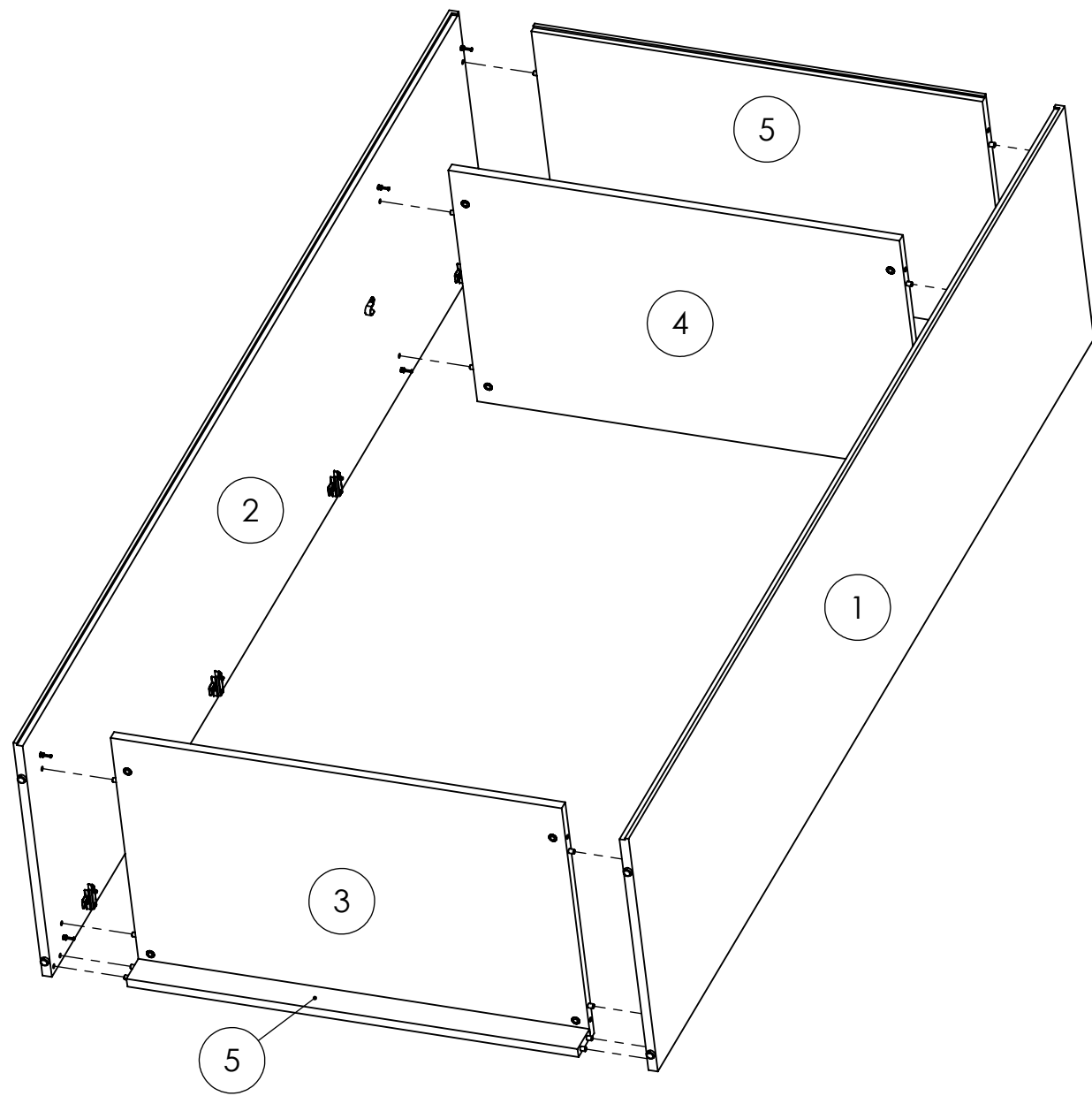


7.



# LP KARLA ormar 2D

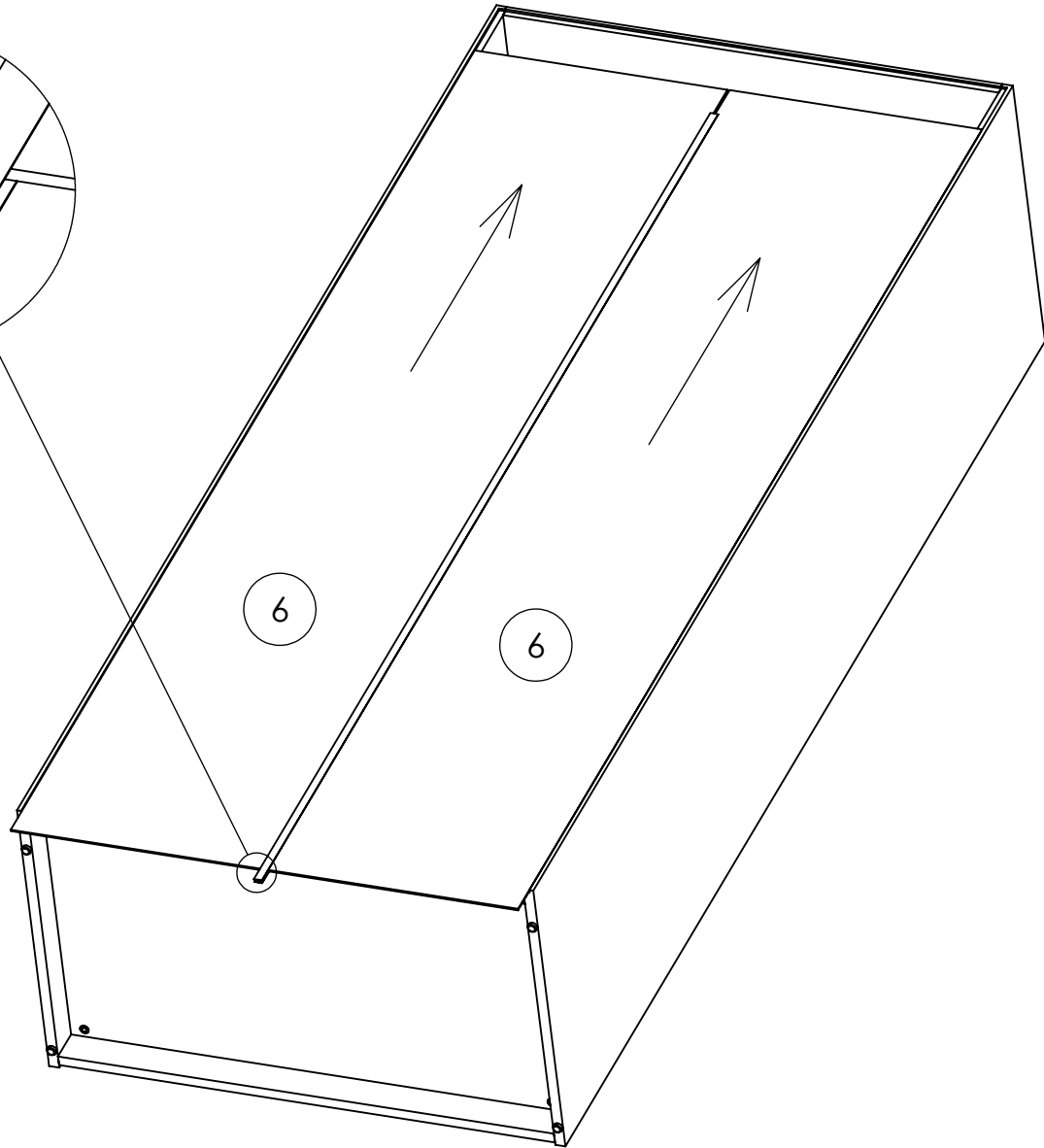
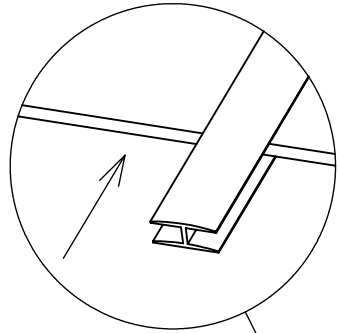
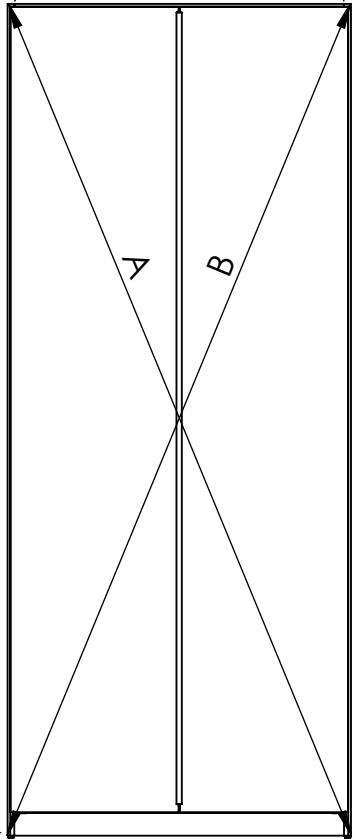
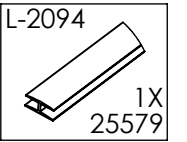
8.





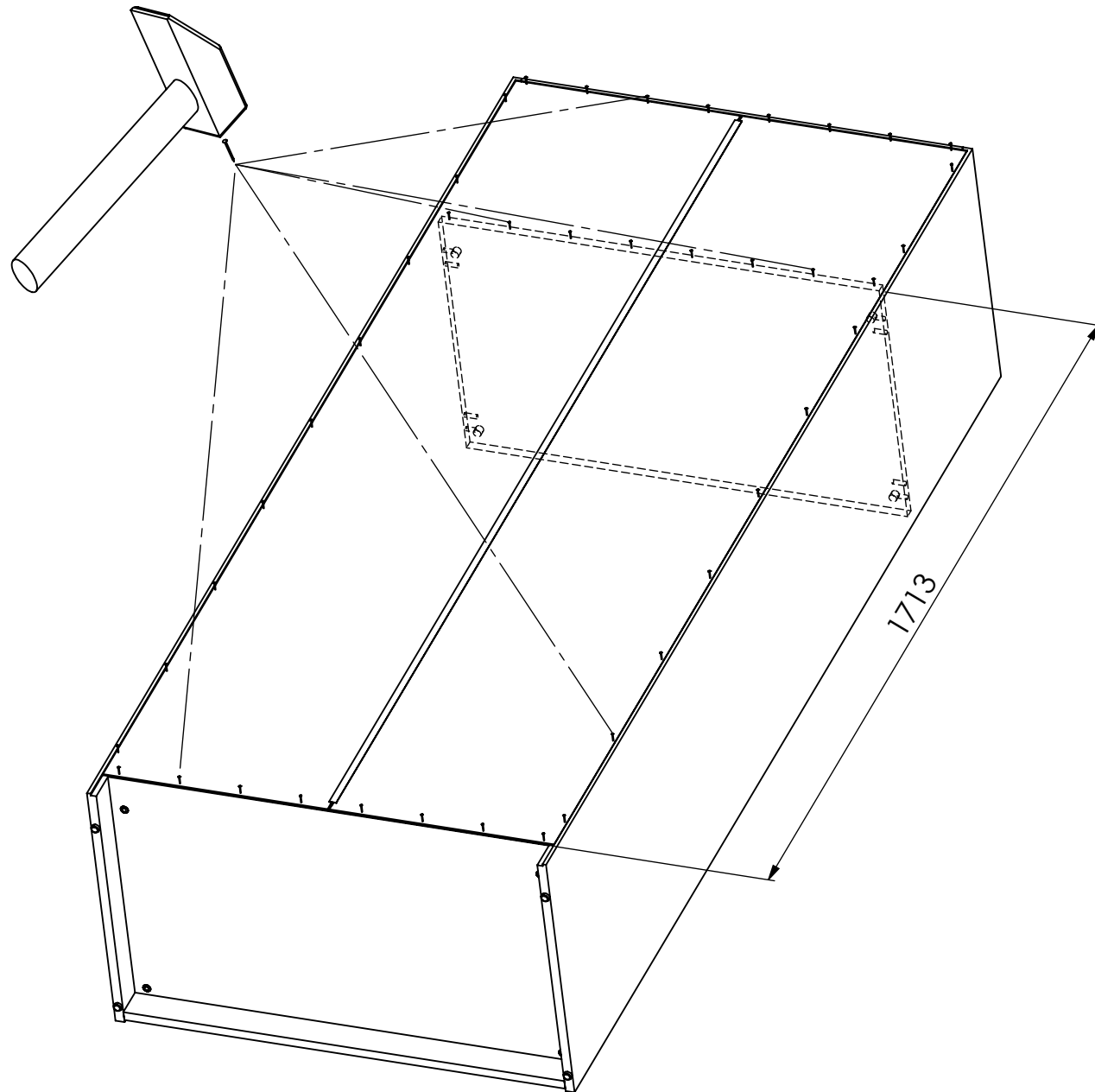
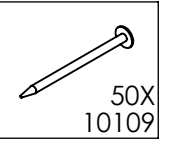
# LP KARLA ormar 2D

9.



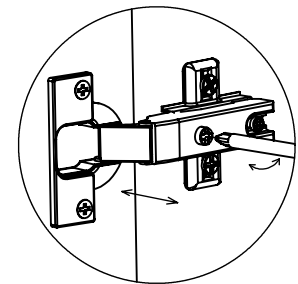
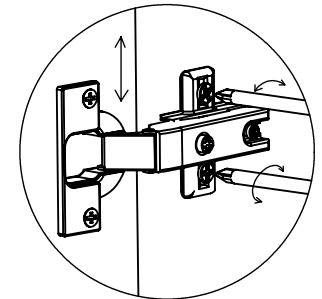
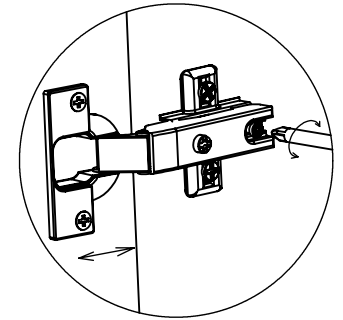
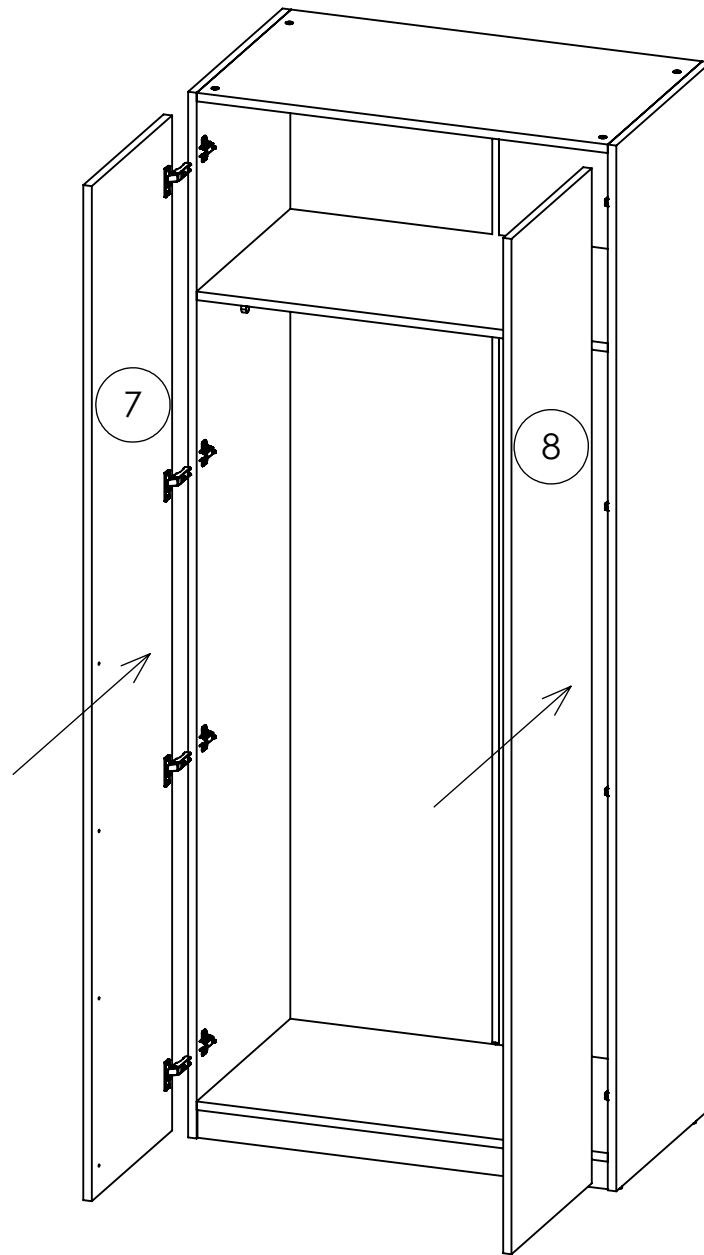
# LP KARLA ormar 2D

10.



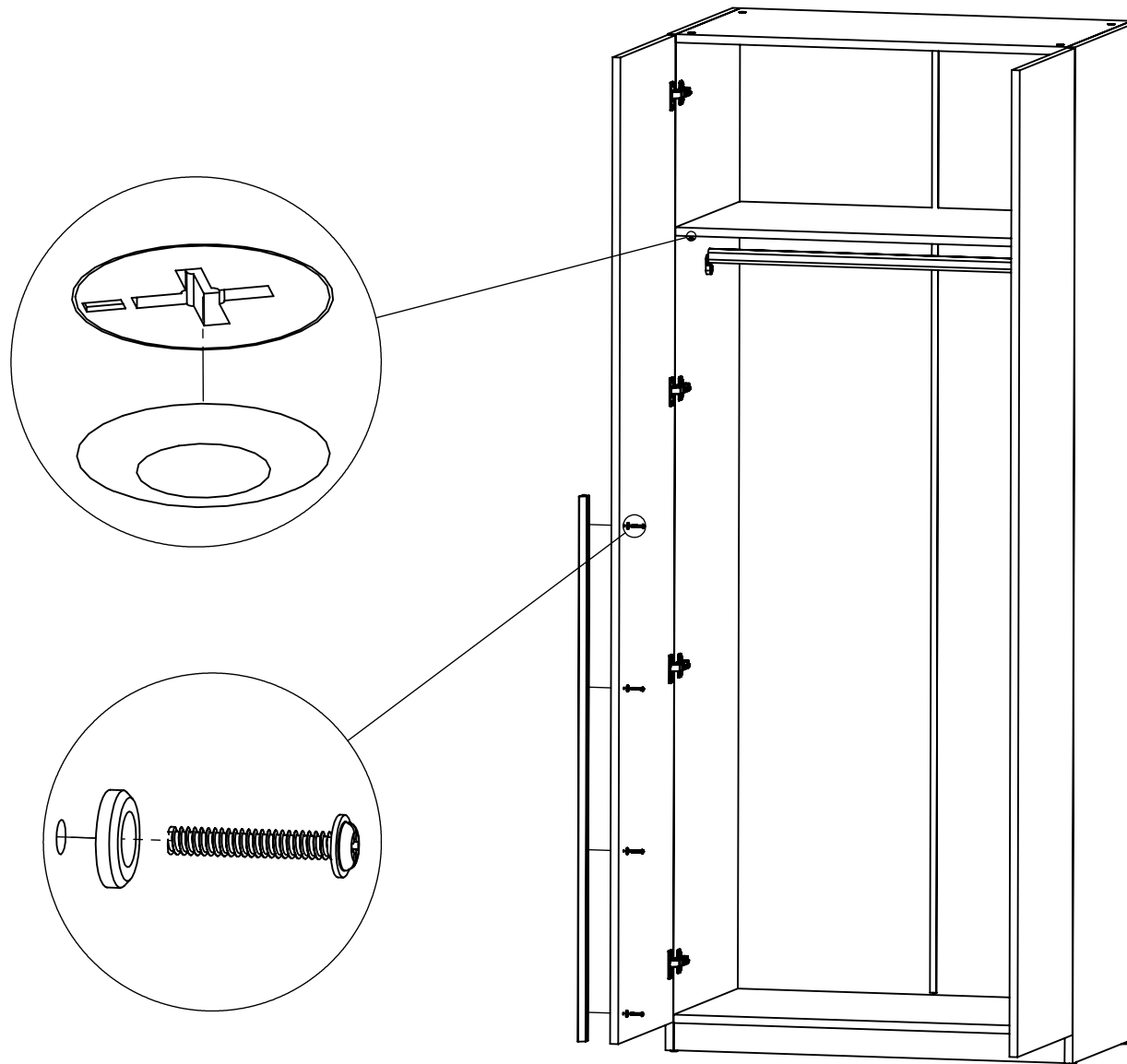
# LP KARLA ormar 2D

11.



# LP KARLA ormar 2D

12.



M4X25 4X 00125	L-1180 1X 25576
4X 25336	L-865 1X 02249